

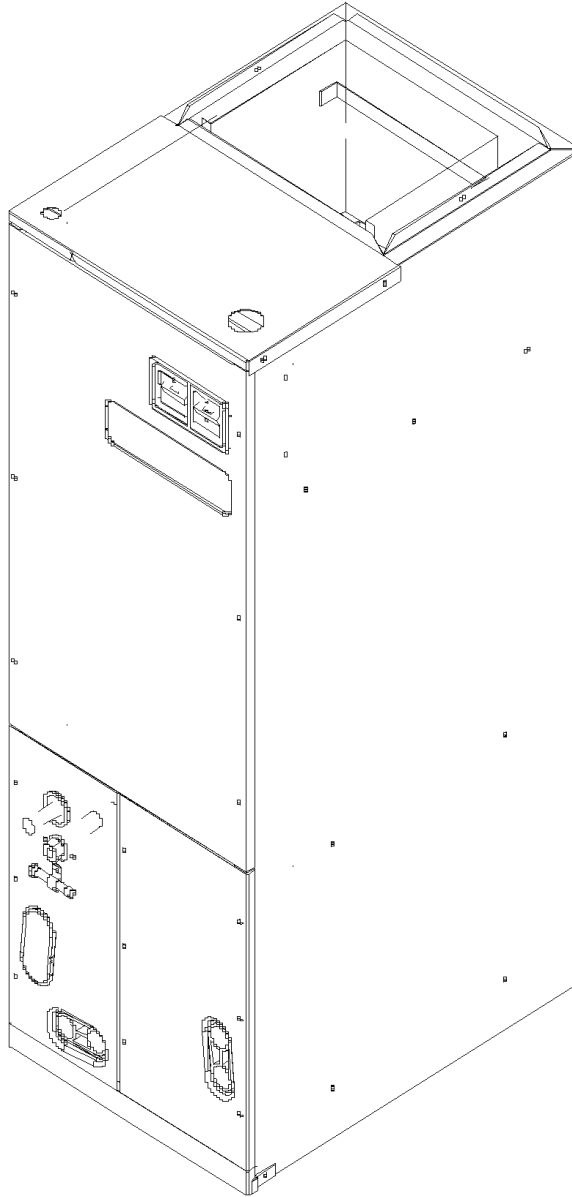
REPAIR PARTS

AVPTC Air Handlers

AVPTC183014AA

AVPTC313714AA

AVPTC426014AA



This manual is to be used by qualified technicians only.

© 2009 Goodman Manufacturing Company, L.P. ♦ 5151 San Felipe, Suite 500 ♦ Houston, TX 77056

Important Information

Index

| | |
|------------------------------|-------|
| Functional Parts List | 3 |
| Illustration and Parts | 4 - 5 |

Views shown are for parts illustrations only, not servicing procedures.

This system uses R410A refrigerant. If sealed system work is required, use approved equipment and follow service procedures. Refer to Service Manual or Installation Instructions for service procedures.

Text Codes:

AR - As Required

NA - Not Available

NS - Not Shown

00000000 - See Note

QTY - Quantity Example (QTY 3) (If Quantity not shown, Quantity = 1)

M - Model Example (M1) (If M Code not shown, then part is used on all Models)

Expanded Model Nomenclature:

| |
|--------------|
| Example |
| M1 - Model#1 |
| M2 - Model#2 |
| M3 - Model#3 |

Goodman Manufacturing Company, L.P. is not responsible for personal injury or property damage resulting from improper service. Review all service information before beginning repairs.

Warranty service must be performed by an authorized technician, using authorized factory parts. If service is required after the warranty expires, Goodman Manufacturing Company, L.P. also recommends contacting an authorized technician and using authorized factory parts.

Goodman Manufacturing Company, L.P. reserves the right to discontinue, or change at any time, specifications or designs without notice or without incurring obligations.

For assistance within the U.S.A. contact:
Consumer Affairs Department
Goodman Manufacturing Company, L.P.
7401 Security Way
Houston, Texas 77040
877-254-4729-Telephone
713-863-2382-Facsimile

For assistance outside the U.S.A. contact:
International Division
Goodman Manufacturing Company, L.P.
7401 Security Way
Houston, Texas 77040
713-861-2500-Telephone
713-863-2382-Facsimile

Functional Parts

Part

No: Description:

| | |
|-------------|---------------------------------|
| 0131M00111S | MOTOR 1/2 HP, SERIAL ECM (M1) |
| 0259A00009 | MOTOR CONTROL HARNESS |
| 0131M00113S | MOTOR, 1HP SERIAL ECM (M3) |
| 0131M00112S | MOTOR, 3/4 HP SERIAL ECM (M2) |
| PCBJA101S | PCB, CONTROL, AIR HANDLER |
| B1141643 | TRANSFORMER 208/230, 24V |
| 0151R00021 | VALVE, TXV R-410A (M3) |
| 0151R00020 | VALVE, TXV R-410A (M2) |
| 0151R00019 | VALVE, TXV R-410A (M1) |
| 0259A00002P | WIRE ASSY, 9-PIN MALE CONNECTOR |
| 0259A00011 | WIRE HARNESS |

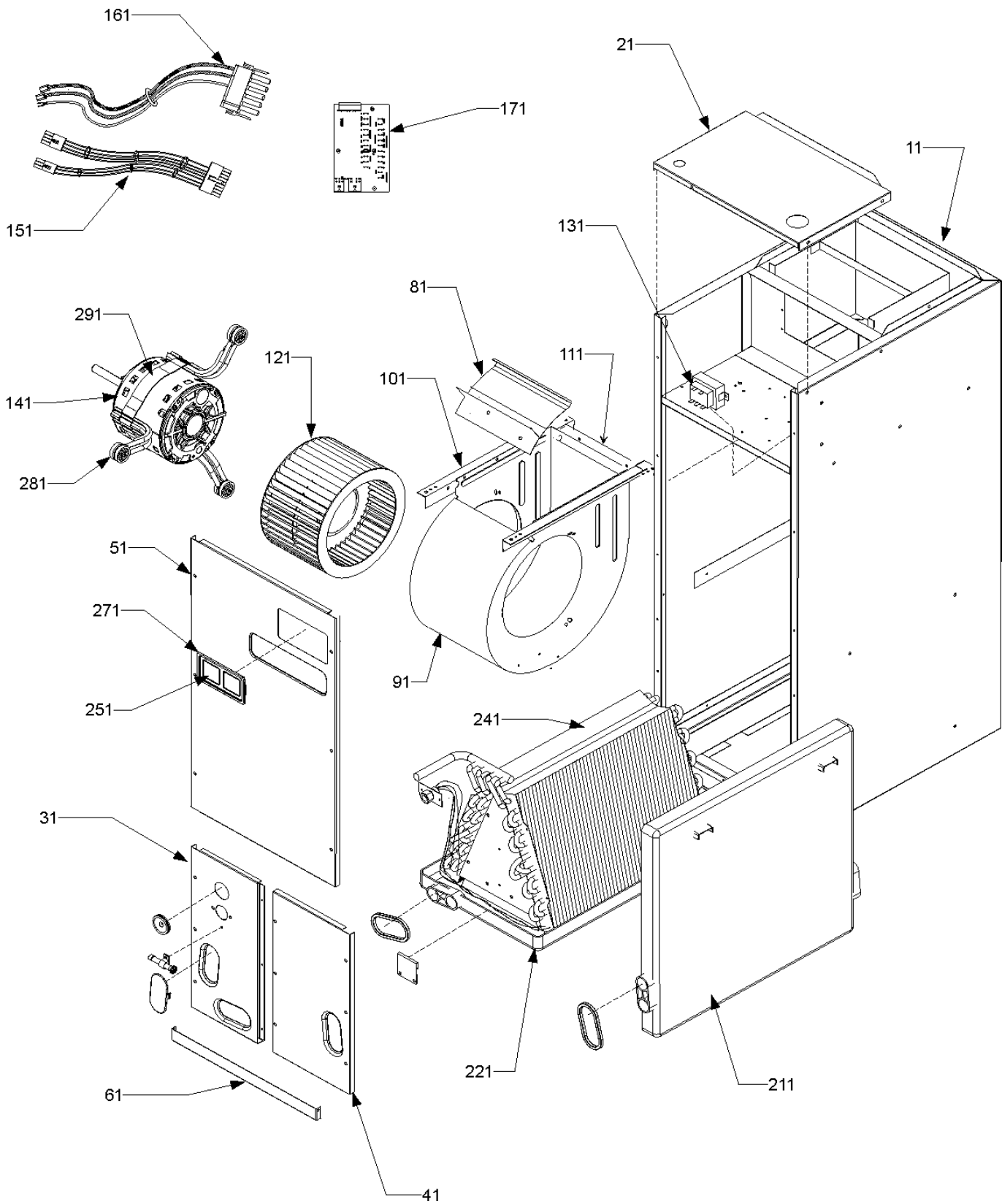
SPECIAL PARTS

IO-346 INSTALLATION MANUAL

Expanded Model Nomenclature

| |
|--------------------|
| M1 - AVPTC183014AA |
| M2 - AVPTC313714AA |
| M3 - AVPTC426014AA |

Unit Assembly



Unit Assembly

| Ref. Part No: | No: | Description: | Ref. Part No: | No: | Description: |
|-----------------|---------------|---|------------------------------------|------------|--|
| <i>Image 1:</i> | | | <i>Image 1:</i> | | |
| 11 | 1721122PDG | WRAPPER (M1) | NS | B9102097 | CAP W/O-RING |
| 11 | 1721123PDG | WRAPPER (M2, M3) | NS | 0162A00047 | FLOWRATOR W/BRACKET, ALUMINUM (M3) |
| 21 | 0121A00114PDG | PAINTED UPPER TIE PLATE (M1) | NS | 0162A00050 | FLOWRATOR W/BRACKET, ALUMINUM (M1, M2) |
| 21 | 0121A00115PDG | PAINTED UPPER TIE PLATE (M2, M3) | NS | B1392640 | PLASTIC DRAIN COVER (QTY 2) |
| 31 | 0121A00117PDG | LOWER ACCESS PNL, W/PAINT (M1) | NS | BT1787000 | VALVE CORE |
| 31 | 0121A00118PDG | LOWER ACCESS PNL, W/PAINT (M2, M3) | NS | 0151R00019 | VALVE, TXV R-410A (M1) |
| 41 | 1722080PDG | LOWER SERVICE PANEL (M1) | NS | 0151R00020 | VALVE, TXV R-410A (M2) |
| 41 | 1722081PDG | LOWER SERVICE PANEL (M2, M3) | NS | 0151R00021 | VALVE, TXV R-410A (M3) |
| 51 | 1722083PDG | UPPER ACCESS PANEL (M1) | NS | 0259A00011 | WIRE HARNESS |
| 51 | 1722084PDG | UPPER ACCESS PANEL (M2, M3) | Expanded Model Nomenclature | | |
| 61 | 1722087PDG | FILTER COVER LRG (M2, M3) | M1 - AVPTC183014AA | | |
| 61 | 1722086PDG | FILTER COVER MED (M1) | M2 - AVPTC313714AA | | |
| 81 | 764741F | BLOWER BLOCK-OFF 10 X 10 (M2, M3) | M3 - AVPTC426014AA | | |
| 81 | 764734F | BLOWER CUT-OFF (M1) | | | |
| 91 | 1439392S | BLOWER HOUSING 9 X 8 (M1) | | | |
| 91 | 0271A00016S | BLOWER HOUSING ASSY (M2, M3) | | | |
| 101 | 0121A00027 | BLOWER MOUNTING ANGLE (M1) | | | |
| 111 | 1717109 | BLOWER MOUNTING ANGLE (M1) | | | |
| 121 | B1368048S | BLOWER WHEEL 10 X 10 (M2, M3) | | | |
| 121 | B1368037S | BLOWER WHEEL 9 X 8 (M1) | | | |
| 131 | B1141643 | TRANSFORMER 208/230, 24V | | | |
| 141 | 0131M00111S | MOTOR 1/2 HP, SERIAL ECM (M1) | | | |
| 141 | 0131M00113S | MOTOR, 1HP SERIAL ECM (M3) | | | |
| 141 | 0131M00112S | MOTOR, 3/4 HP SERIAL ECM (M2) | | | |
| 151 | 0259A00002P | WIRE ASSY, 9-PIN MALE CONNECTOR | | | |
| 161 | 0259A00009 | MOTOR CONTROL HARNESS | | | |
| 171 | PCBJA101S | PCB, CONTROL, AIR HANDLER | | | |
| 211 | B1756022L | PLASTIC DRAIN PAN (HORIZONTAL) (M1) | | | |
| 211 | B1756028L | PLASTIC DRAIN PAN (HORIZONTAL) (M2, M3) | | | |
| 221 | B1756017L | PLASTIC DRAIN PAN (VERTICAL) (M1) | | | |
| 221 | B1756020L | PLASTIC DRAIN PAN (VERTICAL) (M2, M3) | | | |
| 241 | 0270A00491 | Coil Tubing Assy (M1) | | | |
| 241 | 0270A00498 | COIL TUBING ASSY (M2) | | | |
| 241 | 0270A00499 | COIL TUBING ASSY (M3) | | | |
| 251 | B1392641 | PLASTIC CIRCUIT BREAKER INSERT | | | |
| 271 | B13926122 | CIRCUIT BREAKER INSERT GASKET | | | |
| 281 | B1376853 | MOTOR MOUNT ARM (M2, M3) | | | |
| 281 | B1376861 | MOTOR MOUNT ARM (M1) | | | |
| 291 | 0121M00038 | MOTOR MOUNT BAND | | | |
| NS | BT1369063 | 90 DEGREE STUB | | | |
| NS | 1721921 | BOTTOM BRACKET, LARGE (AR) (M2, M3) | | | |
| NS | 1721920 | BOTTOM BRACKET, MEDIUM (AR) (M1) | | | |
| NS | 1721918 | BOTTOM TIE LRG (M2, M3) | | | |
| NS | 1721917 | BOTTOM TIE MED (M1) | | | |

THIS PAGE INTENTIONALLY LEFT BLANK