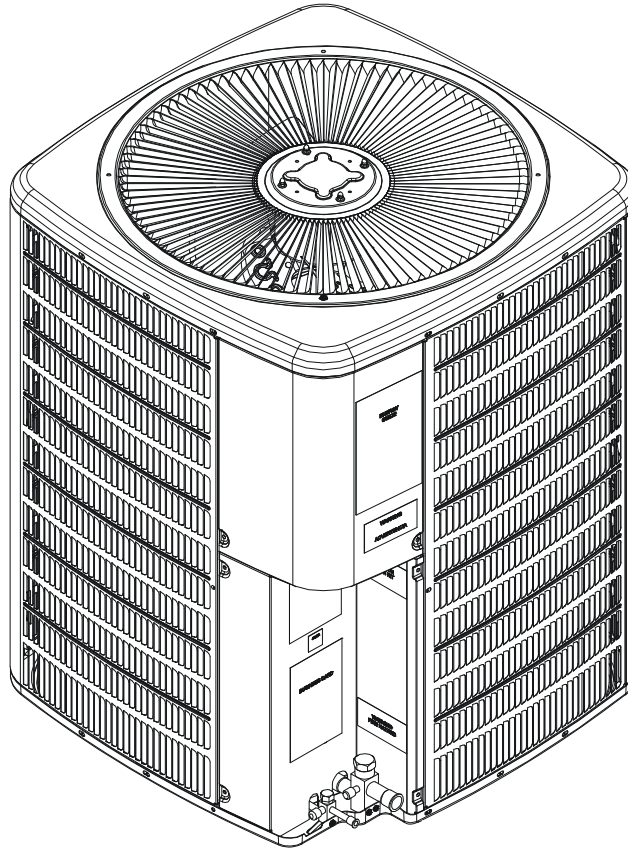


# REPAIR PARTS

## GSX13 R410A Remote Condensing Unit

GSX130181AB  
GSX130181BA  
GSX130181CA  
GSX130241AB  
GSX130241BA  
GSX130301AB  
GSX130301BA  
GSX130361AB  
GSX130361BA  
GSX130363AA  
GSX130421AB  
GSX130421BA  
GSX130481AB  
GSX130481BA  
GSX130483AA  
GSX130484AA  
GSX130601AB  
GSX130601BA  
GSX130603AA  
GSX130604AA



This manual is to be used by qualified technicians only.

This manual replaces RP-461E

© 2007-2010 Goodman Manufacturing Company, L.P. ♦ 5151 San Felipe, Suite 500 ♦ Houston, TX 77056

# Important Information

---

## Index

Functional Parts List .....	3
Illustration and Parts .....	4 - 9

*Views shown are for parts illustrations only, not servicing procedures.*

Rev. F: Added models GSX130181CA (Panasonic compressor), GSX130363AA, GSX130483AA, GSX130484AA, GSX130603AA, and GSX130604AA

### Text Codes:

AR - As Required

NA - Not Available

NS - Not Shown

00000000 - See Note

QTY - Quantity Example (QTY 3) (If Quantity not shown, Quantity = 1)

M - Model Example (M1) (If M Code not shown, then part is used on all Models)

### Expanded Model Nomenclature:

Example M1 - Model#1 M2 - Model#2 M3 - Model#3
---

Goodman Manufacturing Company, L.P. is not responsible for personal injury or property damage resulting from improper service. Review all service information before beginning repairs.

Warranty service must be performed by an authorized technician, using authorized factory parts. If service is required after the warranty expires, Goodman Manufacturing Company, L.P. also recommends contacting an authorized technician and using authorized factory parts.

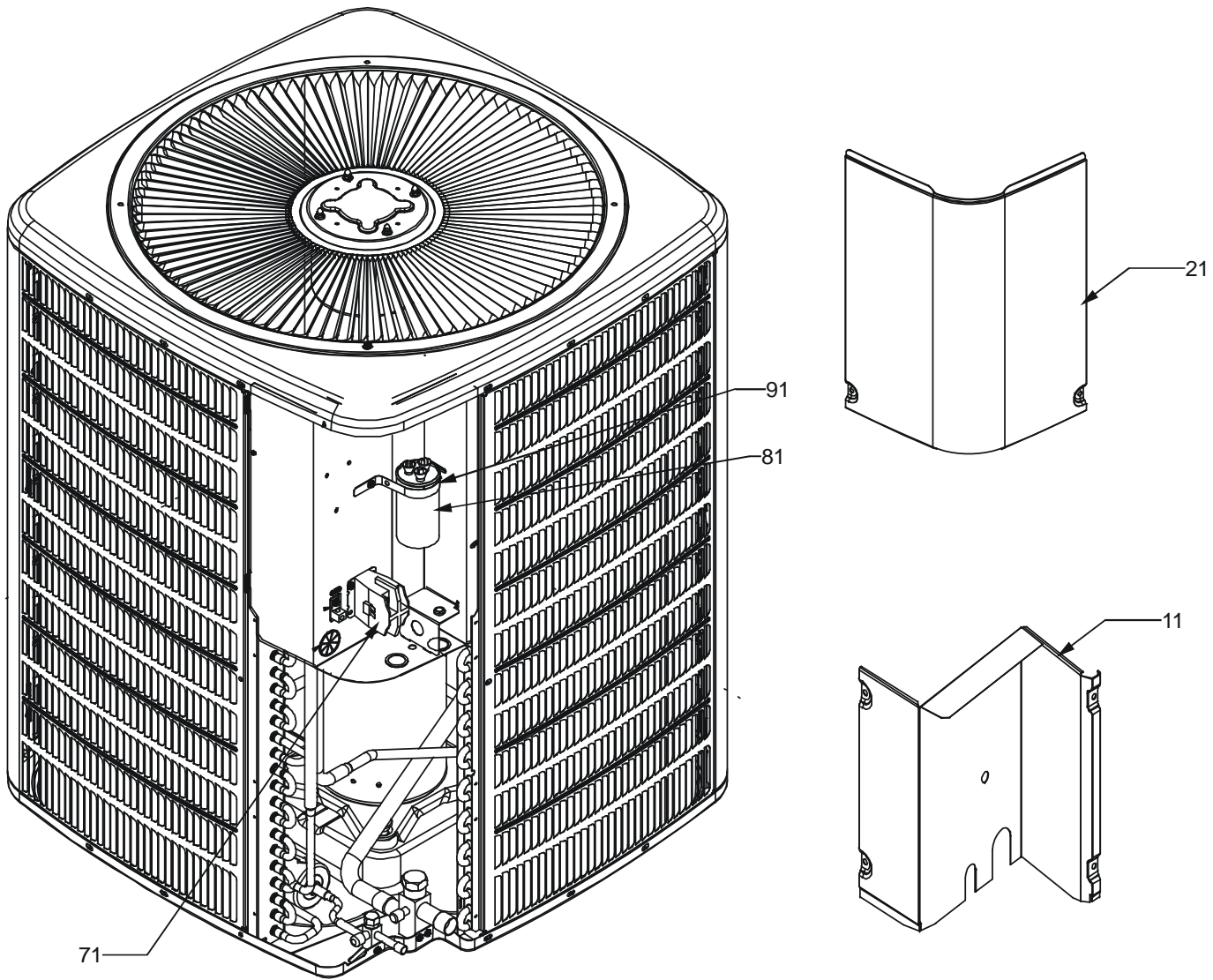
Goodman Manufacturing Company, L.P. reserves the right to discontinue, or change at any time, specifications or designs without notice or without incurring obligations.

For assistance within the U.S.A. contact:  
Consumer Affairs Department  
Goodman Manufacturing Company, L.P.  
7401 Security Way  
Houston, Texas 77040  
877-254-4729-Telephone  
713-863-2382-Facsimile

For assistance outside the U.S.A. contact:  
International Division  
Goodman Manufacturing Company, L.P.  
7401 Security Way  
Houston, Texas 77040  
713-861-2500-Telephone  
713-863-2382-Facsimile



# Control Cover / Control Box



# Control Cover / Control Box

Ref. Part No: No:	Description:	Ref. Part No: No:	Description:
-------------------	--------------	-------------------	--------------

Image 1:

11	0121R00094PDG	LOWER ACCESS PANEL (M2, M3, M5, M7)
11	0121R00095PDG	LOWER ACCESS PANEL (M9, M10)
11	0121R00098PDG	LOWER ACCESS PANEL (M12, M14, M15, M16)
11	0121R00155PDG	LOWER ACCESS PANEL (M18, M19, M20)
11	4400201PDG	LOWER ACCESS PANEL (M1, M4, M6, M8)
11	4400202PDG	LOWER ACCESS PANEL (M11)
11	4400205PDG	LOWER ACCESS PANEL (M13, M17)
21	0121R00053PDG	CONTROL COVER
71	CONT2P025024VS	CONTACTOR 25 AMP, 2P, 24V (M7)
71	CONT2P025024VS	CONTACTOR 25 AMP, 2P, 24V (M1, M2, M3, M4, M5, M6, M8, M9, M11, M12)
71	CONT3P025024VS	CONTACTOR 25 AMP, 3P, 24V (M10, M15, M16, M19, M20)
71	CONT2P030024VS	CONTACTOR 30 AMP, 2P, 24V (M13, M14, M17, M18)
81	CAP050300440RSS	CAPACITOR 5/30/370V (M1, M2)
81	CAP050350440RSS	CAPACITOR 5/35/440V (M3, M4, M5)
81	CAP050000370VAS	CAPACITOR 5/370V (M10, M15, M16, M19, M20)
81	CAP050400440RTS	CAPACITOR 5/40/440V (M6)
81	CAP050400440RTS	CAPACITOR 5/40/440V (M7)
81	CAP050450440RTS	CAPACITOR 5/45/440V (M8, M9, M11, M12, M13, M14)
81	CAP050700440RTS	CAPACITOR 5/70/440V (M17, M18)
91	4400065	CAPACITOR STRAP
NS	0161R00009P	NAMEPLATE

## Expanded Model Nomenclature

M1 - GSX130181AB
M2 - GSX130181BA
M3 - GSX130181CA
M4 - GSX130241AB
M5 - GSX130241BA
M6 - GSX130301AB
M7 - GSX130301BA
M8 - GSX130361AB
M9 - GSX130361BA
M10 - GSX130363AA
M11 - GSX130421AB
M12 - GSX130421BA
M13 - GSX130481AB
M14 - GSX130481BA
M15 - GSX130483AA
M16 - GSX130484AA
M17 - GSX130601AB
M18 - GSX130601BA
M19 - GSX130603AA
M20 - GSX130604AA

# Compressor / Tubing Assembly

Image 2

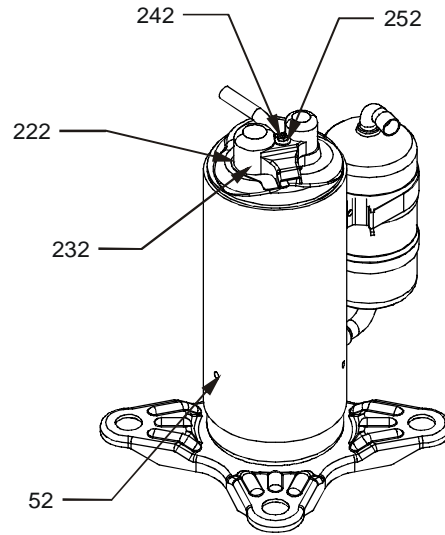
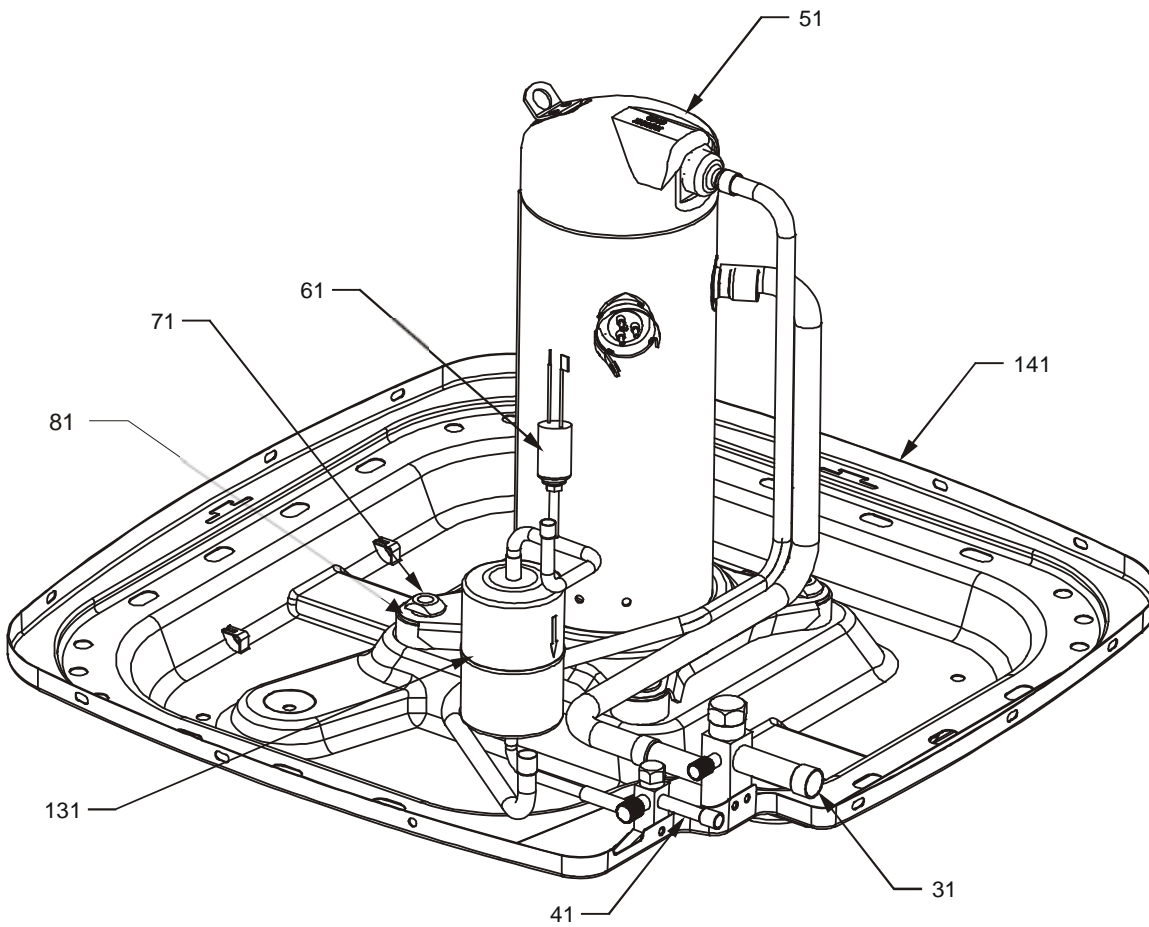


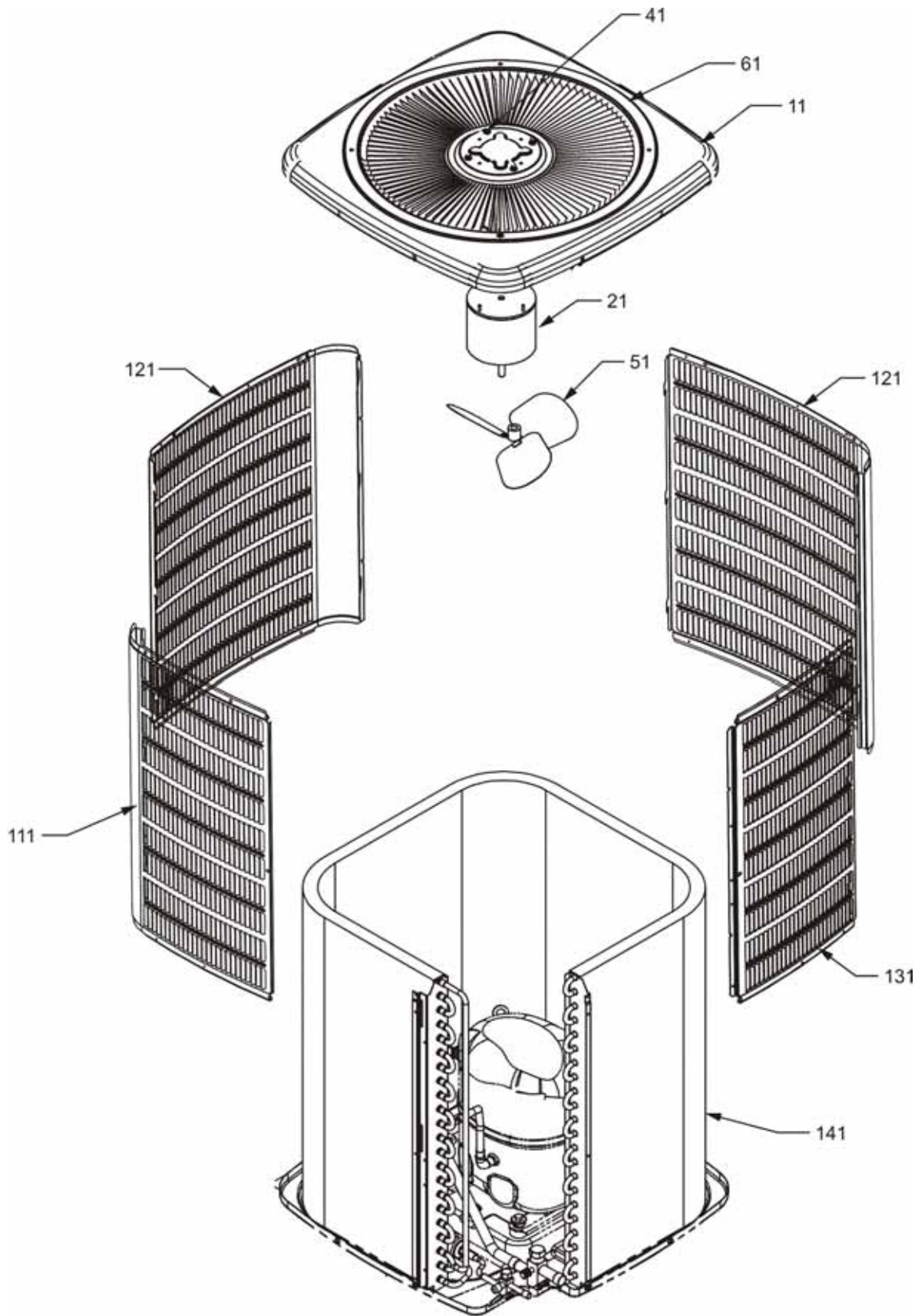
Image 1



# Compressor / Tubing Assembly

Ref. Part No: No:	Description:	Ref. Part No: No:	Description:																				
<i>Image 1:</i>		<i>Image 1:</i>																					
31	0151R00002P 3/4" SERVICE VALVE OPEN LEFT (M1, M2, M3, M4, M5, M6, M7, M8, M9, M10)	NS	B1789880 FLOW CHECK PISTON KIT .080 (M13, M14, M15, M16)																				
31	0151R00003P 7/8" SERVICE VALVE OPEN LEFT (M11, M12, M13, M14, M15, M16, M17, M18, M19, M20)	NS	B1789886 FLOW CHECK PISTON KIT .086 (M18, M19, M20)																				
41	B12825171 3/8" SERVICE VALVE	NS	B1789892 FLOW CHECK PISTON KIT .092 (M17)																				
51	ZP16K5EPFV830 COMPRESSOR 15500, 208/230/60/1 (M1, M2)	<i>Image 2:</i>																					
51	ZP20K5EPFV830 COMPRESSOR 20000, 208/230/60/1 (M4, M5)	52	5KS150FAB21 COMPRESSOR 14600, 208/230/60/1 (M3)																				
51	ZP24K5EPFV830 COMPRESSOR 24000, 208/230/60/1 (M6, M7)	222	0154M00003 GASKET, TERM COVER (M3)																				
51	ZP31K5EPFV830 COMPRESSOR 31100, 208/230/60/1 (M8, M9)	232	0130M00028 TERMINAL COVER (M3)																				
51	ZP31K5ETF5830 COMPRESSOR 31200, 200/230/60/3 (M10)	242	A3436801 GASKET-NUT (M3)																				
51	ZP34K5EPFV830 COMPRESSOR 34500, 208/230/60/1 (M11, M12)	252	A3436601 NUT-TERM COVER (M3)																				
51	ZP39K5ETF5830 COMPRESSOR 39000, 200/230/60/3 (M15)	<b>Expanded Model Nomenclature</b>																					
51	ZP39K5EPFV830 COMPRESSOR 39000, 208/230/60/1 (M13, M14)	<table border="1"> <tr><td>M1 - GSX130181AB</td></tr> <tr><td>M2 - GSX130181BA</td></tr> <tr><td>M3 - GSX130181CA</td></tr> <tr><td>M4 - GSX130241AB</td></tr> <tr><td>M5 - GSX130241BA</td></tr> <tr><td>M6 - GSX130301AB</td></tr> <tr><td>M7 - GSX130301BA</td></tr> <tr><td>M8 - GSX130361AB</td></tr> <tr><td>M9 - GSX130361BA</td></tr> <tr><td>M10 - GSX130363AA</td></tr> <tr><td>M11 - GSX130421AB</td></tr> <tr><td>M12 - GSX130421BA</td></tr> <tr><td>M13 - GSX130481AB</td></tr> <tr><td>M14 - GSX130481BA</td></tr> <tr><td>M15 - GSX130483AA</td></tr> <tr><td>M16 - GSX130484AA</td></tr> <tr><td>M17 - GSX130601AB</td></tr> <tr><td>M18 - GSX130601BA</td></tr> <tr><td>M19 - GSX130603AA</td></tr> <tr><td>M20 - GSX130604AA</td></tr> </table>		M1 - GSX130181AB	M2 - GSX130181BA	M3 - GSX130181CA	M4 - GSX130241AB	M5 - GSX130241BA	M6 - GSX130301AB	M7 - GSX130301BA	M8 - GSX130361AB	M9 - GSX130361BA	M10 - GSX130363AA	M11 - GSX130421AB	M12 - GSX130421BA	M13 - GSX130481AB	M14 - GSX130481BA	M15 - GSX130483AA	M16 - GSX130484AA	M17 - GSX130601AB	M18 - GSX130601BA	M19 - GSX130603AA	M20 - GSX130604AA
M1 - GSX130181AB																							
M2 - GSX130181BA																							
M3 - GSX130181CA																							
M4 - GSX130241AB																							
M5 - GSX130241BA																							
M6 - GSX130301AB																							
M7 - GSX130301BA																							
M8 - GSX130361AB																							
M9 - GSX130361BA																							
M10 - GSX130363AA																							
M11 - GSX130421AB																							
M12 - GSX130421BA																							
M13 - GSX130481AB																							
M14 - GSX130481BA																							
M15 - GSX130483AA																							
M16 - GSX130484AA																							
M17 - GSX130601AB																							
M18 - GSX130601BA																							
M19 - GSX130603AA																							
M20 - GSX130604AA																							
51	ZP39K5ETFD830 COMPRESSOR 39000, 460/60/3 (M16)																						
51	ZP49K5ETF5130 COMPRESSOR 49000, 208/230/60/3 (M19)																						
51	ZP49K5ETFD130 COMPRESSOR 49000, 460/60/3 (M20)																						
51	ZP49K5EPFV130 COMPRESSOR 49400, 208/230/60/1 (M18)																						
51	ZP51K5EPFV830 COMPRESSOR 51000, 208/230/60/1 (M17)																						
61	20322602 CUT-OUT SWITCH, HIGH PRESSURE (M1, M4, M6, M8, M11, M13, M17)																						
71	M0221641 TF SHOULDER SCREW (QTY 4)																						
81	B1339533 COMPRESSOR GROMMET (M1, M2, M4, M5, M6, M7, M8, M9, M10, M11, M12, M13, M14, M15, M16, M17, M18, M19, M20)																						
81	0164M00000P COMPRESSOR GROMMET-PANASONIC (M3)																						
131	0162R00009 FILTER DRIER																						
141	0121R00005PDG BASE PAN 26" (M1, M2, M3, M4, M5, M6, M7)																						
141	0121R00006PDG BASE PAN 29" (M8, M9, M10, M11, M12, M13, M14, M15, M16, M18, M19, M20)																						
141	0121R00007PDG BASE PAN 35" (M17)																						
NS	0159R00008 COMPRESSOR HARNESS (M10)																						
NS	0159R00009 COMPRESSOR HARNESS (M15, M16, M19, M20)																						
NS	0159R00000P COMPRESSOR SCROLL HARNESS (M1, M2, M4, M5, M6, M7)																						
NS	0159R00001P COMPRESSOR SCROLL HARNESS (M8, M9, M11, M12)																						
NS	0159R00002P COMPRESSOR SCROLL HARNESS (M13, M14, M17, M18)																						
NS	B1789849 FLOW CHECK PISTON KIT .049 (M1)																						
NS	B1789851 FLOW CHECK PISTON KIT .051 (M2, M3)																						
NS	B1789853 FLOW CHECK PISTON KIT .053 (M4)																						
NS	B1789857 FLOW CHECK PISTON KIT .057 (M5)																						
NS	B1789859 FLOW CHECK PISTON KIT .059 (M6)																						
NS	B1789861 FLOW CHECK PISTON KIT .061 (M7)																						
NS	B1789868 FLOW CHECK PISTON KIT .068 (M8)																						
NS	B1789870 FLOW CHECK PISTON KIT .070 (M9, M10)																						
NS	B1789874 FLOW CHECK PISTON KIT .074 (M11)																						
NS	B1789876 FLOW CHECK PISTON KIT .076 (M12)																						

# Cabinet Top / Side Panels





# Cabinet Top / Side Panels

Ref. Part No:	No:	Description:	Ref. Part No:	No:	Description:																				
<i>Image 1:</i>			<i>Image 1:</i>																						
11	0121R00008PDG	TOP PANEL 26" (M1, M2, M3, M4, M5, M6, M7)	131	0121R00039PDG	LOUVERED SIDE PANEL [RT OF CNTL PNL] (M13)																				
11	0121R00010PDG	TOP PANEL 29" (M8, M9, M10, M11, M12, M13, M14, M15, M16, M18, M19, M20)	131	0121R00051PDG	LOUVERED SIDE PANEL [RT OF CNTL PNL] (M17)																				
11	0121R00012PDG	TOP PANEL 35" (M17)	131	0121R00116S	LOUVERED SIDE PANEL [RT OF CNTL PNL] (M2, M3, M5, M7)																				
21	0131M00018PS	COND MOTOR 1/4 HP, 1 SP, 6 PL (M18, M19)	131	0121R00141PDG	LOUVERED SIDE PANEL [RT OF CNTL PNL] (M12, M14, M15, M16)																				
21	0131M00022S	COND MOTOR 1/4 HP, 8 PL, 460V (M16, M20)	141	0201R00130S	TUBING ASSY, COND COIL (M8)																				
21	0131M00061S	COND MOTOR 1/4HP, 1SP, 8PL (M12, M13, M14, M15, M17)	141	0201R00132S	TUBING ASSY, COND COIL (M11)																				
21	0131M00060S	COND MOTOR 1/6 HP, 1 SP, 8 PL (M1, M2, M3, M4, M5, M6, M7, M8, M9, M10, M11)	141	0201R00134S	TUBING ASSY, COND COIL (M17)																				
41	0163M00006P	ACORN NUT 5/16 HEX BLACK (QTY 4)	141	0201R00143S	TUBING ASSY, COND COIL (M1, M4, M6)																				
51	0150M00018S	FAN BLADE 20" (M1, M2, M4, M5, M6)	141	0201R00146S	TUBING ASSY, COND COIL (M13)																				
51	0150M00012S	FAN BLADE 20" CCW (M3, M7)	141	0201R00193S	TUBING ASSY, COND COIL (M12)																				
51	0150M00008S	FAN BLADE 22" TNT2203-25 (M8, M9, M10, M11)	141	0201R00242S	TUBING ASSY, COND COIL (M14, M15, M16)																				
51	B1086750S	FAN BLADE 22", 3 BLADE, 24° (M18, M19)	141	0201R00269	TUBING ASSY, COND COIL (M2, M3, M5)																				
51	10625738S	FAN BLADE 26" ALUM CCW (M17)	141	0201R00271S	TUBING ASSY, COND COIL (M7)																				
51	B1086765S	FAN BLADE TYPE 3 (M12, M13, M14, M15, M16, M20)	141	0201R00273S	TUBING ASSY, COND COIL (M9, M10)																				
61	0161L00000	VENTURI RING 22" (M9, M10, M12, M14, M15, M16, M18, M19, M20)	NS	0161R00001P	CONDUIT (M1, M2, M3, M4, M5, M6, M7)																				
61	0161R00007P	VENTURI RING 35" (M17)	NS	0161R00002P	CONDUIT (M9, M10, M12, M14, M15, M16, M18, M19, M20)																				
111	0121R00024PDGB	LOUVERED SIDE PANEL (M8)	NS	0161R00003P	CONDUIT (M8, M11, M13)																				
111	0121R00124PDGB	LOUVERED SIDE PANEL (M9, M10)	NS	0161R00004P	CONDUIT (M17)																				
111	0121R00175PDGB	LOUVERED SIDE PANEL (M18, M19, M20)	<b>Expanded Model Nomenclature</b>																						
111	0121R00015PDGB	LOUVERED SIDE PANEL [LT OF CNTL PNL] (M1, M4, M6)	<table border="1"> <tr><td>M1 - GSX130181AB</td></tr> <tr><td>M2 - GSX130181BA</td></tr> <tr><td>M3 - GSX130181CA</td></tr> <tr><td>M4 - GSX130241AB</td></tr> <tr><td>M5 - GSX130241BA</td></tr> <tr><td>M6 - GSX130301AB</td></tr> <tr><td>M7 - GSX130301BA</td></tr> <tr><td>M8 - GSX130361AB</td></tr> <tr><td>M9 - GSX130361BA</td></tr> <tr><td>M10 - GSX130363AA</td></tr> <tr><td>M11 - GSX130421AB</td></tr> <tr><td>M12 - GSX130421BA</td></tr> <tr><td>M13 - GSX130481AB</td></tr> <tr><td>M14 - GSX130481BA</td></tr> <tr><td>M15 - GSX130483AA</td></tr> <tr><td>M16 - GSX130484AA</td></tr> <tr><td>M17 - GSX130601AB</td></tr> <tr><td>M18 - GSX130601BA</td></tr> <tr><td>M19 - GSX130603AA</td></tr> <tr><td>M20 - GSX130604AA</td></tr> </table>			M1 - GSX130181AB	M2 - GSX130181BA	M3 - GSX130181CA	M4 - GSX130241AB	M5 - GSX130241BA	M6 - GSX130301AB	M7 - GSX130301BA	M8 - GSX130361AB	M9 - GSX130361BA	M10 - GSX130363AA	M11 - GSX130421AB	M12 - GSX130421BA	M13 - GSX130481AB	M14 - GSX130481BA	M15 - GSX130483AA	M16 - GSX130484AA	M17 - GSX130601AB	M18 - GSX130601BA	M19 - GSX130603AA	M20 - GSX130604AA
M1 - GSX130181AB																									
M2 - GSX130181BA																									
M3 - GSX130181CA																									
M4 - GSX130241AB																									
M5 - GSX130241BA																									
M6 - GSX130301AB																									
M7 - GSX130301BA																									
M8 - GSX130361AB																									
M9 - GSX130361BA																									
M10 - GSX130363AA																									
M11 - GSX130421AB																									
M12 - GSX130421BA																									
M13 - GSX130481AB																									
M14 - GSX130481BA																									
M15 - GSX130483AA																									
M16 - GSX130484AA																									
M17 - GSX130601AB																									
M18 - GSX130601BA																									
M19 - GSX130603AA																									
M20 - GSX130604AA																									
111	0121R00025PDGB	LOUVERED SIDE PANEL [LT OF CNTL PNL] (M11)																							
111	0121R00027PDGB	LOUVERED SIDE PANEL [LT OF CNTL PNL] (M13)																							
111	0121R00043PDGB	LOUVERED SIDE PANEL [LT OF CNTL PNL] (M17)																							
111	0121R00102PDGB	LOUVERED SIDE PANEL [LT OF CNTL PNL] (M2, M3, M5, M7)																							
111	0121R00127PDGB	LOUVERED SIDE PANEL [LT OF CNTL PNL] (M12, M14, M15, M16)																							
121	0121R00018PDGB	LOUVERED SIDE PANEL (M1, M4, M6)																							
121	0121R00030PDGB	LOUVERED SIDE PANEL (M8)																							
121	0121R00031PDGB	LOUVERED SIDE PANEL (M11)																							
121	0121R00033PDGB	LOUVERED SIDE PANEL (M13)																							
121	0121R00047PDGB	LOUVERED SIDE PANEL (M17)																							
121	0121R00109PDGB	LOUVERED SIDE PANEL (M2, M3, M5, M7)																							
121	0121R00131PDGB	LOUVERED SIDE PANEL (M9, M10)																							
121	0121R00134PDGB	LOUVERED SIDE PANEL (M12, M14, M15, M16)																							
121	0121R00176PDGB	LOUVERED SIDE PANEL (M18, M19, M20)																							
131	0121R00036PDG	LOUVERED SIDE PANEL (M8)																							
131	0121R00138PDG	LOUVERED SIDE PANEL (M9, M10)																							
131	0121R00177PDG	LOUVERED SIDE PANEL (M18, M19, M20)																							
131	0121R00021PDG	LOUVERED SIDE PANEL [RT OF CNTL PNL] (M1, M4, M6)																							
131	0121R00037PDG	LOUVERED SIDE PANEL [RT OF CNTL PNL] (M11)																							

**THIS PAGE INTENTIONALLY LEFT BLANK**