



Featuring
New Industry Standard
R-410A Refrigerant

R-410A



14.5 SEER VALUE SERIES CONDENSING UNITS

Features

- Painted louvered steel cabinet
- Easily accessible control box
- Condenser coils constructed with copper tubing and enhanced aluminum fins
- Grille/Motor mount for quiet fan operation
- Filter Drier (shipped – not installed)

Applications

Outdoor condensing unit designed for ground level or rooftop installations. These units offer comfort and dependability for single, multi-family and light commercial applications.

14AJM-

14.5 SEER Models

Efficiencies up to 16.50 SEER/14 EER

Nominal Sizes 1 1/2 to 5 Tons

[5.28 kW] to [17.6 kW]

Seven Models

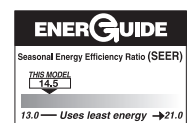
Cooling Capacities

18,600 to 61,500 BTU/HR

[5.45 to 18.02 kW]

Accessories

- Low Pressure Control (RXAC-A07)
- High Pressure Control (RXAB-A07)
- Low Ambient Control (RXAD-A08)
- Compressor Time Delay Control
- Crankcase Heater
- Sound Enclosure



"Proper sizing and installation of equipment is critical to achieve optimal performance. Split system air conditioners and heat pumps must be matched with appropriate coil components to meet ENERGY STAR criteria. Ask your Contractor for details or visit www.energystar.gov."

Model Number Identification

14	A	J	M	18	A	01
14.5 SEER	A = AIR CONDITIONER	VOLTAGE J = 208-230 SINGLE PHASE	DESIGN SERIES M = 1ST DESIGN R-410A	NOMINAL COOLING CAPACITY 18 = 18,000 BTU/HR [5.28 kW] 24 = 24,000 BTU/HR [7.03 kW] 30 = 30,000 BTU/HR [8.79 kW] 36 = 36,000 BTU/HR [10.55 kW] 42 = 42,000 BTU/HR [12.31 kW] 48 = 48,000 BTU/HR [14.07 kW] 60 = 60,000 BTU/HR [17.58 kW]	CABINET A = FULL METAL JACKET	RHEEM VALUE SERIES

Performance Data @ ARI Standard Conditions—Cooling

Model Numbers		80°F [26.5°C] DB/67°F [19.5°C] WB Indoor Air 95°F [35°C] DB Outdoor Air					Sound Rating dB	Indoor CFM [L/s]
Outdoor Unit 14AJM	Indoor Coil and/or Air Handler	Total Capacity BTU/H [kW]	Net Sensible BTU/H [kW]	Net Latent BTU/H [kW]	EER	SEER		
Rev. 7/29/09	RCFL-H*2417 ①	19,300 [5.7]	13,850 [4.1]	5,450 [1.6]	12.00	14.50	74	600 [283]
	RCFL-A*2414	19,300 [5.7]	13,850 [4.1]	5,450 [1.6]	12.00	14.50	74	600 [283]
18	RCFL-A*2417	19,300 [5.7]	13,850 [4.1]	5,450 [1.6]	12.00	14.50	74	600 [283]
	RCFL-A*2417 (RGFD-06?MCK?)	19,800 [5.8]	14,200 [4.2]	5,600 [1.6]	13.50	16.00	74	600 [283]
	RCFL-A*2417 (RGFD-07?MCK?)	19,800 [5.8]	14,200 [4.2]	5,600 [1.6]	13.50	16.00	74	600 [283]
	RCFL-A*2417 (RGGD-06?MCK?)	19,800 [5.8]	14,200 [4.2]	5,600 [1.6]	14.00	16.50	74	600 [283]
	RCFL-A*2417 (RGGD-07?MCK?)	19,800 [5.8]	14,200 [4.2]	5,600 [1.6]	13.50	16.50	74	625 [295]
	RCFL-A*2417 (RGLR-07?AMK?)	19,800 [5.8]	14,200 [4.2]	5,600 [1.6]	14.00	16.50	74	600 [283]
	RCFL-A*2417 (RGPR-05?BMK?)	19,700 [5.8]	14,150 [4.1]	5,550 [1.6]	13.50	16.00	74	600 [283]
	RCFL-A*2417 (RGPR-07?AMK?)	19,800 [5.8]	14,200 [4.2]	5,600 [1.6]	14.00	16.50	74	600 [283]
	RCFL-H*2414	19,300 [5.7]	13,850 [4.1]	5,450 [1.6]	12.00	14.50	74	600 [283]
	RCFL-H*2417 (RGFD-06?MCK?)	19,800 [5.8]	14,200 [4.2]	5,600 [1.6]	13.50	16.00	74	600 [283]
	RCFL-H*2417 (RGFD-07?MCK?)	19,800 [5.8]	14,200 [4.2]	5,600 [1.6]	13.50	16.00	74	600 [283]
	RCFL-H*2417 (RGGD-06?MCK?)	19,800 [5.8]	14,200 [4.2]	5,600 [1.6]	14.00	16.50	74	600 [283]
	RCFL-H*2417 (RGGD-07?MCK?)	19,800 [5.8]	14,200 [4.2]	5,600 [1.6]	13.50	16.50	74	625 [295]
	RCFL-H*2417 (RGJD-06?MCK?)	19,800 [5.8]	14,200 [4.2]	5,600 [1.6]	14.00	16.50	74	600 [283]
	RCFL-H*2417 (RGJD-07?MCK?)	19,800 [5.8]	14,200 [4.2]	5,600 [1.6]	13.50	16.50	74	625 [295]
	RCFL-H*2417 (RGLR-07?AMK?)	19,800 [5.8]	14,200 [4.2]	5,600 [1.6]	14.00	16.50	74	600 [283]
	RCFL-H*2417 (RGPR-05?BMK?)	19,700 [5.8]	14,150 [4.1]	5,550 [1.6]	13.50	16.00	74	600 [283]
	RCFL-H*2417 (RGPR-07?AMK?)	19,800 [5.8]	14,200 [4.2]	5,600 [1.6]	14.00	16.50	74	600 [283]
	RCFL-H*2417 (RGRM-04?MAE?)	19,800 [5.8]	14,200 [4.2]	5,600 [1.6]	13.50	16.00	74	575 [271]
	RCFL-H*2417 (RGRM-06?MAE?)	19,800 [5.8]	14,200 [4.2]	5,600 [1.6]	13.50	16.50	74	600 [283]
	RCFL-H*2417 (RGRM-07?MAE?)	19,700 [5.8]	14,150 [4.1]	5,550 [1.6]	13.00	16.00	74	625 [295]
	RBHP-17 (RCHL-24A2)	19,200 [5.6]	13,450 [3.9]	5,750 [1.7]	13.00	16.00	74	650 [307]
	RCHL-24A2 (RGFD-06?MCK?)	18,900 [5.5]	13,050 [3.8]	5,850 [1.7]	13.00	15.50	74	600 [283]
	RCHL-24A2 (RGFD-07?MCK?)	18,900 [5.5]	13,050 [3.8]	5,850 [1.7]	13.00	15.50	74	600 [283]
	RCHL-24A2 (RGGD-06?MCK?)	19,000 [5.6]	13,150 [3.9]	5,850 [1.7]	13.50	16.00	74	600 [283]
	RCHL-24A2 (RGGD-07?MCK?)	18,900 [5.5]	13,050 [3.8]	5,850 [1.7]	13.00	16.00	74	625 [295]
	RCHL-24A2 (RGJD-06?MCK?)	19,000 [5.6]	13,150 [3.9]	5,850 [1.7]	13.50	16.00	74	600 [283]
	RCHL-24A2 (RGJD-07?MCK?)	18,900 [5.5]	13,050 [3.8]	5,850 [1.7]	13.00	16.00	74	625 [295]
	RCHL-24A2 (RGLR-07?AMK?)	19,000 [5.6]	13,150 [3.9]	5,850 [1.7]	13.50	16.00	74	600 [283]
	RCHL-24A2 (RGPR-05?BMK?)	18,900 [5.5]	13,100 [3.8]	5,800 [1.7]	13.00	15.50	74	600 [283]
	RCHL-24A2 (RGPR-07?AMK?)	19,000 [5.6]	13,150 [3.9]	5,850 [1.7]	13.00	16.00	74	600 [283]
	RCHL-24A2 (RGRM-04?MAE?)	18,500 [5.4]	12,600 [3.7]	5,900 [1.7]	13.00	15.50	74	575 [271]
	RCHL-24A2 (RGRM-06?MAE?)	18,800 [5.5]	12,950 [3.8]	5,850 [1.7]	13.00	15.50	74	600 [283]
	RCHL-24A2 (RGRM-07?MAE?)	18,700 [5.5]	12,900 [3.8]	5,800 [1.7]	13.00	15.50	74	625 [295]
RCHL-24A2+RXMD-C04	18,600 [5.4]	12,900 [3.8]	5,700 [1.7]	11.50	14.00	74	600 [283]	
RHKL-HM2417 (RCSL-H*2417)	20,000 [5.9]	14,500 [4.2]	5,500 [1.6]	14.00	16.50	74	650 [307]	
RHLL-HM2417 (RCSL-H*2417)	20,000 [5.9]	14,500 [4.2]	5,500 [1.6]	14.00	16.50	74	650 [307]	
RHSL-HM1817 (RCSL-H*2417)	19,500 [5.7]	14,000 [4.1]	5,500 [1.6]	12.50	15.00	74	600 [283]	

① Highest sales volume tested combination required by D.O.E. test procedures.

[] Designates Metric Conversions

Performance Data @ ARI Standard Conditions—Cooling (con't.)

Model Numbers		80°F [26.5°C] DB/67°F [19.5°C] WB Indoor Air 95°F [35°C] DB Outdoor Air					Sound Rating dB	Indoor CFM [L/s]	
Outdoor Unit 14AJM	Indoor Coil and/or Air Handler	Total Capacity BTU/H [kW]	Net Sensible BTU/H [kW]	Net Latent BTU/H [kW]	EER	SEER			
24	Rev. 7/29/09	RCFL-H*2417+RXMD-C04 ①	23,600 [6.9]	16,800 [4.9]	6,800 [2.0]	12.00	14.50	74	800 [378]
		RCFL-A*2414+RXMD-C04	23,600 [6.9]	16,800 [4.9]	6,800 [2.0]	12.00	14.50	74	800 [378]
		RCFL-A*2417 (RGFD-06?MCK?)	24,000 [7.0]	17,100 [5.0]	6,900 [2.0]	12.50	15.00	74	800 [378]
		RCFL-A*2417 (RGFD-07?MCK?)	24,000 [7.0]	17,050 [5.0]	6,950 [2.0]	13.00	15.50	74	800 [378]
		RCFL-A*2417 (RGGD-06?MCK?)	24,200 [7.1]	17,250 [5.1]	6,950 [2.0]	13.00	15.50	74	800 [378]
		RCFL-A*2417 (RGGD-07?MCK?)	24,000 [7.0]	17,050 [5.0]	6,950 [2.0]	13.00	15.50	74	800 [378]
		RCFL-A*2417 (RGLR-07?AMK?)	24,200 [7.1]	17,250 [5.1]	6,950 [2.0]	13.00	16.00	74	800 [378]
		RCFL-A*2417 (RGPR-05?BMK?)	24,000 [7.0]	17,050 [5.0]	6,950 [2.0]	13.00	15.50	74	775 [366]
		RCFL-A*2417 (RGPR-07?AMK?)	24,200 [7.1]	17,250 [5.1]	6,950 [2.0]	13.00	16.00	74	800 [378]
		RCFL-A*2417+RXMD-C04	23,600 [6.9]	16,800 [4.9]	6,800 [2.0]	12.00	14.50	74	800 [378]
		RCFL-H*2414+RXMD-C04	23,600 [6.9]	16,800 [4.9]	6,800 [2.0]	12.00	14.50	74	800 [378]
		RCFL-H*2417 (RGFD-06?MCK?)	24,000 [7.0]	17,100 [5.0]	6,900 [2.0]	12.50	15.00	74	800 [378]
		RCFL-H*2417 (RGFD-07?MCK?)	24,000 [7.0]	17,050 [5.0]	6,950 [2.0]	13.00	15.50	74	800 [378]
		RCFL-H*2417 (RGGD-06?MCK?)	24,200 [7.1]	17,250 [5.1]	6,950 [2.0]	13.00	15.50	74	800 [378]
		RCFL-H*2417 (RGGD-07?MCK?)	24,000 [7.0]	17,050 [5.0]	6,950 [2.0]	13.00	15.50	74	800 [378]
		RCFL-H*2417 (RGJD-06?MCK?)	24,200 [7.1]	17,250 [5.1]	6,950 [2.0]	13.00	15.50	74	800 [378]
		RCFL-H*2417 (RGJD-07?MCK?)	24,000 [7.0]	17,050 [5.0]	6,950 [2.0]	13.00	15.50	74	800 [378]
		RCFL-H*2417 (RGLR-07?AMK?)	24,200 [7.1]	17,250 [5.1]	6,950 [2.0]	13.00	16.00	74	800 [378]
		RCFL-H*2417 (RGPR-05?BMK?)	24,000 [7.0]	17,050 [5.0]	6,950 [2.0]	13.00	15.50	74	775 [366]
		RCFL-H*2417 (RGPR-07?AMK?)	24,200 [7.1]	17,250 [5.1]	6,950 [2.0]	13.00	16.00	74	800 [378]
		RCFL-H*2417 (RGRM-04?MAE?)	24,000 [7.0]	17,100 [5.0]	6,900 [2.0]	13.00	15.50	74	800 [378]
		RCFL-H*2417 (RGRM-06?MAE?)	24,000 [7.0]	17,100 [5.0]	6,900 [2.0]	13.00	15.50	74	825 [389]
		RCFL-H*2417 (RGRM-07?MAE?)	24,200 [7.1]	17,450 [5.1]	6,750 [2.0]	12.50	15.00	74	850 [401]
		RCHL-24A2	23,000 [6.7]	15,900 [4.7]	7,100 [2.1]	11.50	13.50	74	800 [378]
		RBHP-17 (RCHL-24A2)	23,400 [6.9]	16,150 [4.7]	7,250 [2.1]	12.50	15.00	74	825 [389]
		RCHL-24A2 (RGFD-06?MCK?)	23,400 [6.9]	16,150 [4.7]	7,250 [2.1]	12.50	15.00	74	800 [378]
		RCHL-24A2 (RGFD-07?MCK?)	23,400 [6.9]	16,150 [4.7]	7,250 [2.1]	12.50	15.00	74	800 [378]
		RCHL-24A2 (RGGD-06?MCK?)	23,600 [6.9]	16,300 [4.8]	7,300 [2.1]	13.00	15.50	74	800 [378]
		RCHL-24A2 (RGGD-07?MCK?)	23,600 [6.9]	16,350 [4.8]	7,250 [2.1]	13.00	15.00	74	800 [378]
		RCHL-24A2 (RGJD-06?MCK?)	23,600 [6.9]	16,300 [4.8]	7,300 [2.1]	13.00	15.50	74	800 [378]
		RCHL-24A2 (RGJD-07?MCK?)	23,600 [6.9]	16,350 [4.8]	7,250 [2.1]	13.00	15.00	74	800 [378]
		RCHL-24A2 (RGLR-07?AMK?)	23,600 [6.9]	16,300 [4.8]	7,300 [2.1]	13.00	15.50	74	800 [378]
		RCHL-24A2 (RGPR-05?BMK?)	23,400 [6.9]	16,150 [4.7]	7,250 [2.1]	12.50	15.00	74	775 [366]
		RCHL-24A2 (RGPR-07?AMK?)	23,600 [6.9]	16,300 [4.8]	7,300 [2.1]	13.00	15.50	74	800 [378]
	RCHL-24A2 (RGRM-04?MAE?)	23,200 [6.8]	16,200 [4.7]	7,000 [2.1]	12.50	15.00	74	800 [378]	
	RCHL-24A2 (RGRM-06?MAE?)	23,200 [6.8]	16,150 [4.7]	7,050 [2.1]	12.50	15.00	74	825 [389]	
	RCHL-24A2 (RGRM-07?MAE?)	23,400 [6.9]	16,500 [4.8]	6,900 [2.0]	12.50	14.50	74	850 [401]	
	RHKL-HM2417 (RCSL-H*2417)	24,400 [7.1]	17,550 [5.1]	6,850 [2.0]	13.00	16.00	74	850 [401]	
	RHLL-HM2417 (RCSL-H*2417)	24,400 [7.1]	17,400 [5.1]	7,000 [2.1]	13.50	16.50	74	775 [366]	
	RHSL-HM2417 (RCSL-H*2417)	23,800 [7.0]	16,950 [5.0]	6,850 [2.0]	12.50	14.50	74	800 [378]	
30		RCFL-H*3617+RXMD-C04 ①	28,200 [8.3]	20,250 [5.9]	7,950 [2.3]	12.00	14.50	76	950 [448]
		RCFL-A*3617 (RGFD-06?MCK?)	28,600 [8.4]	20,750 [6.1]	7,850 [2.3]	12.00	14.50	76	1,000 [472]
		RCFL-A*3617 (RGFD-07?MCK?)	28,800 [8.4]	20,950 [6.1]	7,850 [2.3]	12.50	15.00	76	1,000 [472]
		RCFL-A*3617 (RGGD-06?MCK?)	28,800 [8.4]	20,900 [6.1]	7,900 [2.3]	12.50	15.00	76	1,000 [472]
		RCFL-A*3617 (RGGD-07?MCK?)	28,800 [8.4]	21,000 [6.2]	7,800 [2.3]	12.50	15.00	76	1,025 [484]
		RCFL-A*3617 (RGLR-07?AMK?)	29,000 [8.5]	21,150 [6.2]	7,850 [2.3]	13.00	15.00	76	1,025 [484]
		RCFL-A*3617 (RGPR-05?BMK?)	28,800 [8.4]	20,950 [6.1]	7,850 [2.3]	12.00	14.50	76	1,000 [472]
		RCFL-A*3617 (RGPR-07?AMK?)	29,000 [8.5]	21,100 [6.2]	7,900 [2.3]	13.00	15.00	76	1,000 [472]
		RCFL-A*3617+RXMD-C04	28,200 [8.3]	20,250 [5.9]	7,950 [2.3]	12.00	14.50	76	950 [448]
		RCFL-A*3621 (RGFD-06?MCK?)	28,600 [8.4]	20,750 [6.1]	7,850 [2.3]	12.00	14.50	76	1,000 [472]
		RCFL-A*3621 (RGFD-07?MCK?)	28,800 [8.4]	20,950 [6.1]	7,850 [2.3]	12.50	15.00	76	1,000 [472]
		RCFL-A*3621 (RGGD-06?MCK?)	28,800 [8.4]	20,900 [6.1]	7,900 [2.3]	12.50	15.00	76	1,000 [472]
		RCFL-A*3621 (RGGD-07?MCK?)	28,800 [8.4]	21,000 [6.2]	7,800 [2.3]	12.50	15.00	76	1,025 [484]
		RCFL-A*3621 (RGLR-07?AMK?)	29,000 [8.5]	21,150 [6.2]	7,850 [2.3]	13.00	15.00	76	1,025 [484]

① Highest sales volume tested combination required by D.O.E. test procedures.

[] Designates Metric Conversions

Performance Data @ ARI Standard Conditions—Cooling (con't.)

Model Numbers		80°F [26.5°C] DB/67°F [19.5°C] WB Indoor Air 95°F [35°C] DB Outdoor Air					Sound Rating dB	Indoor CFM [L/s]	
Outdoor Unit 14AJM	Indoor Coil and/or Air Handler	Total Capacity BTU/H [kW]	Net Sensible BTU/H [kW]	Net Latent BTU/H [kW]	EER	SEER			
Rev. 7/29/09	RCFL-A*3621 (RGPR-05?BMK?)	28,800 [8.4]	20,950 [6.1]	7,850 [2.3]	12.00	14.50	76	1,000 [472]	
	RCFL-A*3621 (RGPR-07?AMK?)	29,000 [8.5]	21,100 [6.2]	7,900 [2.3]	13.00	15.00	76	1,000 [472]	
	RCFL-A*3621+RXMD-C04	28,200 [8.3]	20,250 [5.9]	7,950 [2.3]	12.00	14.50	76	950 [448]	
	RCFL-H*3617 (RGFD-06?MCK?)	28,600 [8.4]	20,750 [6.1]	7,850 [2.3]	12.00	14.50	76	1,000 [472]	
	RCFL-H*3617 (RGFD-07?MCK?)	28,800 [8.4]	20,950 [6.1]	7,850 [2.3]	12.50	15.00	76	1,000 [472]	
	RCFL-H*3617 (RGGD-06?MCK?)	28,800 [8.4]	20,900 [6.1]	7,900 [2.3]	12.50	15.00	76	1,000 [472]	
	RCFL-H*3617 (RGGD-07?MCK?)	28,800 [8.4]	21,000 [6.2]	7,800 [2.3]	12.50	15.00	76	1,025 [484]	
	RCFL-H*3617 (RGJD-06?MCK?)	28,800 [8.4]	20,900 [6.1]	7,900 [2.3]	12.50	15.00	76	1,000 [472]	
	RCFL-H*3617 (RGJD-07?MCK?)	28,800 [8.4]	21,000 [6.2]	7,800 [2.3]	12.50	15.00	76	1,025 [484]	
	RCFL-H*3617 (RGLR-07?AMK?)	29,000 [8.5]	21,150 [6.2]	7,850 [2.3]	13.00	15.00	76	1,025 [484]	
	RCFL-H*3617 (RGPR-05?BMK?)	28,800 [8.4]	20,950 [6.1]	7,850 [2.3]	12.00	14.50	76	1,000 [472]	
	RCFL-H*3617 (RGPR-07?AMK?)	29,000 [8.5]	21,100 [6.2]	7,900 [2.3]	13.00	15.00	76	1,000 [472]	
	RCFL-H*3617 (RGRM-04?MAE?)	28,800 [8.4]	21,050 [6.2]	7,750 [2.3]	12.00	14.50	76	1,025 [484]	
	RCFL-H*3617 (RGRM-06?MAE?)	28,800 [8.4]	20,950 [6.1]	7,850 [2.3]	12.00	14.50	76	1,000 [472]	
	RCFL-H*3617 (RGRM-07?MAE?)	28,200 [8.3]	19,800 [5.8]	8,400 [2.5]	12.50	15.00	76	850 [401]	
	RCFL-H*3621 (RGFD-06?MCK?)	28,600 [8.4]	20,750 [6.1]	7,850 [2.3]	12.00	14.50	76	1,000 [472]	
	RCFL-H*3621 (RGFD-07?MCK?)	28,800 [8.4]	20,950 [6.1]	7,850 [2.3]	12.50	15.00	76	1,000 [472]	
	RCFL-H*3621 (RGGD-06?MCK?)	28,800 [8.4]	20,900 [6.1]	7,900 [2.3]	12.50	15.00	76	1,000 [472]	
	RCFL-H*3621 (RGGD-07?MCK?)	28,800 [8.4]	21,000 [6.2]	7,800 [2.3]	12.50	15.00	76	1,025 [484]	
	RCFL-H*3621 (RGJD-06?MCK?)	28,800 [8.4]	20,900 [6.1]	7,900 [2.3]	12.50	15.00	76	1,000 [472]	
	RCFL-H*3621 (RGJD-07?MCK?)	28,800 [8.4]	21,000 [6.2]	7,800 [2.3]	12.50	15.00	76	1,025 [484]	
	RCFL-H*3621 (RGLR-07?AMK?)	29,000 [8.5]	21,150 [6.2]	7,850 [2.3]	13.00	15.00	76	1,025 [484]	
	RCFL-H*3621 (RGPR-05?BMK?)	28,800 [8.4]	20,950 [6.1]	7,850 [2.3]	12.00	14.50	76	1,000 [472]	
	RCFL-H*3621 (RGPR-07?AMK?)	29,000 [8.5]	21,100 [6.2]	7,900 [2.3]	13.00	15.00	76	1,000 [472]	
	RCFL-H*3621 (RGRM-04?MAE?)	28,800 [8.4]	21,050 [6.2]	7,750 [2.3]	12.00	14.50	76	1,025 [484]	
	RCFL-H*3621 (RGRM-06?MAE?)	28,800 [8.4]	20,950 [6.1]	7,850 [2.3]	12.50	15.00	76	1,000 [472]	
	RCFL-H*3621 (RGRM-07?MAE?)	28,200 [8.3]	19,800 [5.8]	8,400 [2.5]	12.50	15.00	76	850 [401]	
	RCFL-H*3621 (RGRM-07?YBG?)	28,400 [8.3]	20,400 [6.0]	8,000 [2.3]	12.00	14.50	76	975 [460]	
	RCFL-H*3621+RXMD-C04	28,200 [8.3]	20,250 [5.9]	7,950 [2.3]	12.00	14.50	76	950 [448]	
	30	RCHL-36A1	27,600 [8.1]	19,450 [5.7]	8,150 [2.4]	12.00	14.00	76	1,000 [472]
RBHP-21 (RCHL-36A1)		28,800 [8.4]	20,550 [6.0]	8,250 [2.4]	13.00	16.00	76	1,050 [495]	
RCHL-36A1 (RGFD-06?MCK?)		28,000 [8.2]	19,750 [5.8]	8,250 [2.4]	12.00	14.50	76	1,000 [472]	
RCHL-36A1 (RGFD-07?MCK?)		28,200 [8.3]	19,900 [5.8]	8,300 [2.4]	12.00	15.00	76	1,000 [472]	
RCHL-36A1 (RGGD-06?MCK?)		28,200 [8.3]	19,900 [5.8]	8,300 [2.4]	13.00	15.00	76	1,000 [472]	
RCHL-36A1 (RGGD-07?MCK?)		28,200 [8.3]	19,900 [5.8]	8,300 [2.4]	12.50	15.00	76	1,025 [484]	
RCHL-36A1 (RGJD-06?MCK?)		28,200 [8.3]	19,900 [5.8]	8,300 [2.4]	13.00	15.00	76	1,000 [472]	
RCHL-36A1 (RGJD-07?MCK?)		28,200 [8.3]	19,900 [5.8]	8,300 [2.4]	12.50	15.00	76	1,025 [484]	
RCHL-36A1 (RGLR-07?AMK?)		28,400 [8.3]	20,050 [5.9]	8,350 [2.4]	13.00	15.50	76	1,025 [484]	
RCHL-36A1 (RGLR-07?BRQ?)		28,600 [8.4]	20,200 [5.9]	8,400 [2.5]	13.00	16.00	76	1,000 [472]	
RCHL-36A1 (RGPR-05?BMK?)		28,200 [8.3]	19,900 [5.8]	8,300 [2.4]	12.50	15.00	76	1,000 [472]	
RCHL-36A1 (RGPR-07?AMK?)		28,400 [8.3]	20,050 [5.9]	8,350 [2.4]	13.00	15.50	76	1,000 [472]	
RCHL-36A1 (RGPR-07?BRQ?)		28,600 [8.4]	20,200 [5.9]	8,400 [2.5]	13.00	16.00	76	1,000 [472]	
RCHL-36A1 (RGRM-04?MAE?)		28,000 [8.2]	19,750 [5.8]	8,250 [2.4]	12.00	14.50	76	1,025 [484]	
RCHL-36A1 (RGRM-06?MAE?)		28,200 [8.3]	19,900 [5.8]	8,300 [2.4]	12.50	15.00	76	1,000 [472]	
RCHL-36A1 (RGRM-07?MAE?)		28,000 [8.2]	19,800 [5.8]	8,200 [2.4]	12.00	14.00	76	1,025 [484]	
RCHL-36A1 (RGRM-07?YBG?)		28,200 [8.3]	19,950 [5.8]	8,250 [2.4]	12.00	14.50	76	975 [460]	
RHKL-HM3617 (RCSL-H*3617)		29,200 [8.6]	21,350 [6.3]	7,850 [2.3]	13.00	15.50	76	1,025 [484]	
RHLL-HM3617 (RCSL-H*3617)		29,200 [8.6]	21,250 [6.2]	7,950 [2.3]	13.00	16.00	76	1,000 [472]	
RHSL-HM3017 (RCSL-H*3617)		28,400 [8.3]	20,400 [6.0]	8,000 [2.3]	12.00	14.50	76	950 [448]	
36		RCFL-H*3617+RXMD-C04 ①	35,000 [10.3]	24,350 [7.1]	10,650 [3.1]	12.00	14.50	77	1,075 [507]
		RCFL-A*3617 (RGFD-06?MCK?)	34,800 [10.2]	23,800 [7.0]	11,000 [3.2]	12.00	14.50	77	1,000 [472]
		RCFL-A*3617 (RGFD-07?MCK?)	35,000 [10.3]	23,950 [7.0]	11,050 [3.2]	12.50	15.00	77	1,000 [472]
		RCFL-A*3617 (RGGD-06?MCK?)	35,000 [10.3]	23,950 [7.0]	11,050 [3.2]	12.50	15.00	77	1,000 [472]
		RCFL-A*3617 (RGGD-07?MCK?)	35,000 [10.3]	24,050 [7.0]	10,950 [3.2]	12.50	15.00	77	1,025 [484]

① Highest sales volume tested combination required by D.O.E. test procedures.

[] Designates Metric Conversions

Performance Data @ ARI Standard Conditions—Cooling (con't.)

Model Numbers		80°F [26.5°C] DB/67°F [19.5°C] WB Indoor Air 95°F [35°C] DB Outdoor Air					Sound Rating dB	Indoor CFM [L/s]
Outdoor Unit 14AJM	Indoor Coil and/or Air Handler	Total Capacity BTU/H [kW]	Net Sensible BTU/H [kW]	Net Latent BTU/H [kW]	EER	SEER		
Rev. 7/29/09	RCFL-A*3617 (RGLR-07?AMK?)	35,200 [10.3]	24,200 [7.1]	11,000 [3.2]	12.50	15.10	77	1,025 [484]
	RCFL-A*3617 (RGPR-05?BMK?)	34,800 [10.2]	23,750 [7.0]	11,050 [3.2]	12.00	14.50	77	1,000 [472]
	RCFL-A*3617 (RGPR-07?AMK?)	35,000 [10.3]	23,900 [7.0]	11,100 [3.3]	12.50	15.10	77	1,000 [472]
	RCFL-A*3617+RXMD-C04	35,000 [10.3]	24,350 [7.1]	10,650 [3.1]	12.00	14.50	77	1,075 [507]
	RCFL-A*3621 (RGFD-06?MCK?)	34,800 [10.2]	23,800 [7.0]	11,000 [3.2]	12.00	14.50	77	1,000 [472]
	RCFL-A*3621 (RGFD-07?MCK?)	35,000 [10.3]	23,950 [7.0]	11,050 [3.2]	12.50	15.00	77	1,000 [472]
	RCFL-A*3621 (RGGD-06?MCK?)	35,000 [10.3]	23,950 [7.0]	11,050 [3.2]	12.50	15.10	77	1,000 [472]
	RCFL-A*3621 (RGGD-07?MCK?)	35,000 [10.3]	24,050 [7.0]	10,950 [3.2]	12.50	15.00	77	1,025 [484]
	RCFL-A*3621 (RGLR-07?AMK?)	35,200 [10.3]	24,200 [7.1]	11,000 [3.2]	12.50	15.10	77	1,025 [484]
	RCFL-A*3621 (RGPR-05?BMK?)	34,800 [10.2]	23,750 [7.0]	11,050 [3.2]	12.00	14.50	77	1,000 [472]
	RCFL-A*3621 (RGPR-07?AMK?)	35,000 [10.3]	23,900 [7.0]	11,100 [3.3]	12.50	15.10	77	1,000 [472]
	RCFL-A*3621+RXMD-C04	35,000 [10.3]	24,350 [7.1]	10,650 [3.1]	12.00	14.50	77	1,075 [507]
	RCFL-H*3617 (RGFD-06?MCK?)	34,800 [10.2]	23,800 [7.0]	11,000 [3.2]	12.00	14.50	77	1,000 [472]
	RCFL-H*3617 (RGFD-07?MCK?)	35,000 [10.3]	23,950 [7.0]	11,050 [3.2]	12.50	15.00	77	1,000 [472]
	RCFL-H*3617 (RGGD-06?MCK?)	35,000 [10.3]	23,950 [7.0]	11,050 [3.2]	12.50	15.00	77	1,000 [472]
	RCFL-H*3617 (RGGD-07?MCK?)	35,000 [10.3]	24,050 [7.0]	10,950 [3.2]	12.50	15.00	77	1,025 [484]
	RCFL-H*3617 (RGJD-06?MCK?)	35,000 [10.3]	23,950 [7.0]	11,050 [3.2]	12.50	15.00	77	1,000 [472]
	RCFL-H*3617 (RGJD-07?MCK?)	35,000 [10.3]	24,050 [7.0]	10,950 [3.2]	12.50	15.00	77	1,025 [484]
	RCFL-H*3617 (RGLR-07?AMK?)	35,200 [10.3]	24,200 [7.1]	11,000 [3.2]	12.50	15.10	77	1,025 [484]
	RCFL-H*3617 (RGPR-05?BMK?)	34,800 [10.2]	23,750 [7.0]	11,050 [3.2]	12.00	14.50	77	1,000 [472]
	RCFL-H*3617 (RGPR-07?AMK?)	35,000 [10.3]	23,900 [7.0]	11,100 [3.3]	12.50	15.10	77	1,000 [472]
	RCFL-H*3617 (RGRM-04?MAE?)	35,000 [10.3]	24,050 [7.0]	10,950 [3.2]	12.00	14.50	77	1,025 [484]
	RCFL-H*3617 (RGRM-06?MAE?)	35,000 [10.3]	23,950 [7.0]	11,050 [3.2]	12.00	14.50	77	1,000 [472]
	RCFL-H*3621 (RGFD-06?MCK?)	34,800 [10.2]	23,800 [7.0]	11,000 [3.2]	12.00	14.50	77	1,000 [472]
	RCFL-H*3621 (RGFD-07?MCK?)	35,000 [10.3]	23,950 [7.0]	11,050 [3.2]	12.50	15.00	77	1,000 [472]
	RCFL-H*3621 (RGGD-06?MCK?)	35,000 [10.3]	23,950 [7.0]	11,050 [3.2]	12.50	15.10	77	1,000 [472]
	RCFL-H*3621 (RGGD-07?MCK?)	35,000 [10.3]	24,050 [7.0]	10,950 [3.2]	12.50	15.00	77	1,025 [484]
	RCFL-H*3621 (RGJD-06?MCK?)	35,000 [10.3]	23,950 [7.0]	11,050 [3.2]	12.50	15.10	77	1,000 [472]
	RCFL-H*3621 (RGJD-07?MCK?)	35,000 [10.3]	24,050 [7.0]	10,950 [3.2]	12.50	15.00	77	1,025 [484]
	RCFL-H*3621 (RGLR-07?AMK?)	35,200 [10.3]	24,200 [7.1]	11,000 [3.2]	12.50	15.10	77	1,025 [484]
	RCFL-H*3621 (RGPR-05?BMK?)	34,800 [10.2]	23,750 [7.0]	11,050 [3.2]	12.00	14.50	77	1,000 [472]
	RCFL-H*3621 (RGPR-07?AMK?)	35,000 [10.3]	23,900 [7.0]	11,100 [3.3]	12.50	15.10	77	1,000 [472]
	RCFL-H*3621 (RGRM-04?MAE?)	35,000 [10.3]	24,050 [7.0]	10,950 [3.2]	12.00	14.50	77	1,025 [484]
	RCFL-H*3621 (RGRM-06?MAE?)	35,000 [10.3]	23,950 [7.0]	11,050 [3.2]	12.00	14.50	77	1,000 [472]
	RCFL-H*3621 (RGRM-07?YBG?)	34,600 [10.1]	23,500 [6.9]	11,100 [3.3]	12.00	14.50	77	975 [460]
	RCFL-H*3621 (RGRM-09?ZAJ?)	36,000 [10.5]	25,950 [7.6]	10,050 [2.9]	12.00	14.50	77	1,225 [578]
	RCFL-H*3621 (RGRM-10?ZAJ?)	35,600 [10.4]	25,200 [7.4]	10,400 [3.0]	12.00	14.50	77	1,150 [543]
	RCFL-H*3621+RXMD-C04	35,000 [10.3]	24,350 [7.1]	10,650 [3.1]	12.00	14.50	77	1,075 [507]
	RCHL-36A1	34,800 [10.2]	24,150 [7.1]	10,650 [3.1]	11.50	13.50	77	1,200 [566]
	RBHP-21 (RCHL-36A1)	35,800 [10.5]	24,850 [7.3]	10,950 [3.2]	13.00	15.50	77	1,225 [578]
	RCHL-36A1 (RGFD-06?MCK?)	35,200 [10.3]	24,450 [7.2]	10,750 [3.1]	11.50	14.00	77	1,175 [554]
	RCHL-36A1 (RGFD-07?MCK?)	35,200 [10.3]	24,500 [7.2]	10,700 [3.1]	11.50	14.00	77	1,200 [566]
RCHL-36A1 (RGFD-09?ZCM?)	35,400 [10.4]	24,300 [7.1]	11,100 [3.3]	12.50	15.10	77	1,150 [543]	
RCHL-36A1 (RGFD-10?ZCM?)	35,600 [10.4]	24,700 [7.2]	10,900 [3.2]	12.50	15.00	77	1,175 [554]	
RCHL-36A1 (RGGD-06?MCK?)	35,200 [10.3]	24,450 [7.2]	10,750 [3.1]	12.00	14.00	77	1,225 [578]	
RCHL-36A1 (RGGD-07?MCK?)	35,200 [10.3]	24,450 [7.2]	10,750 [3.1]	12.00	14.00	77	1,225 [578]	
RCHL-36A1 (RGGD-09?ZCM?)	35,800 [10.5]	24,900 [7.3]	10,900 [3.2]	12.50	15.10	77	1,175 [554]	
RCHL-36A1 (RGGD-10?ZCM?)	35,800 [10.5]	24,900 [7.3]	10,900 [3.2]	12.50	15.10	77	1,175 [554]	
RCHL-36A1 (RGJD-06?MCK?)	35,200 [10.3]	24,450 [7.2]	10,750 [3.1]	12.00	14.00	77	1,225 [578]	
RCHL-36A1 (RGJD-07?MCK?)	35,200 [10.3]	24,450 [7.2]	10,750 [3.1]	12.00	14.00	77	1,225 [578]	
RCHL-36A1 (RGJD-09?ZCM?)	35,800 [10.5]	24,900 [7.3]	10,900 [3.2]	12.50	15.10	77	1,175 [554]	
RCHL-36A1 (RGJD-10?ZCM?)	35,800 [10.5]	24,900 [7.3]	10,900 [3.2]	12.50	15.10	77	1,175 [554]	
RCHL-36A1 (RGLR-07?AMK?)	35,600 [10.4]	24,750 [7.3]	10,850 [3.2]	12.00	14.50	77	1,200 [566]	
RCHL-36A1 (RGLR-07?BRQ?)	35,800 [10.5]	24,850 [7.3]	10,950 [3.2]	13.00	15.10	77	1,225 [578]	

36

① Highest sales volume tested combination required by D.O.E. test procedures.

[] Designates Metric Conversions

Performance Data @ ARI Standard Conditions—Cooling (con't.)

Model Numbers		80°F [26.5°C] DB/67°F [19.5°C] WB Indoor Air 95°F [35°C] DB Outdoor Air					Sound Rating dB	Indoor CFM [L/s]
Outdoor Unit 14AJM	Indoor Coil and/or Air Handler	Total Capacity BTU/H [kW]	Net Sensible BTU/H [kW]	Net Latent BTU/H [kW]	EER	SEER		
Rev. 7/29/09	RCFL-H*4824 (RGPR-10?BRM?)	40,500 [11.9]	29,700 [8.7]	10,800 [3.2]	12.00	15.00	77	1,425 [672]
	RCFL-H*4824 (RGRM-10?ZAJ?)	39,500 [11.6]	27,200 [8.0]	12,300 [3.6]	12.00	15.00	77	1,150 [543]
	RCFL-H*4824 (RGRM-12?RAJ?)	40,000 [11.7]	28,050 [8.2]	11,950 [3.5]	12.00	15.00	77	1,225 [578]
	RCFL-H*4824+RXMD-C04	40,500 [11.9]	29,750 [8.7]	10,750 [3.1]	12.00	14.50	77	1,425 [672]
	RCHL-48A1	39,000 [11.4]	27,450 [8.0]	11,550 [3.4]	11.50	13.50	77	1,400 [661]
	RBHP-24 (RCHL-48A1)	40,000 [11.7]	28,200 [8.3]	11,800 [3.5]	13.00	15.50	77	1,400 [661]
	RCHL-48A1 (RGFD-09?ZCM?)	39,000 [11.4]	26,950 [7.9]	12,050 [3.5]	12.00	14.50	77	1,325 [625]
	RCHL-48A1 (RGFD-10?ZCM?)	39,000 [11.4]	27,000 [7.9]	12,000 [3.5]	12.00	14.00	77	1,325 [625]
	RCHL-48A1 (RGFD-12?RCM?)	39,500 [11.6]	28,300 [8.3]	11,200 [3.3]	12.00	14.00	77	1,475 [696]
	RCHL-48A1 (RGGD-09?ZCM?)	39,500 [11.6]	27,900 [8.2]	11,600 [3.4]	12.00	14.50	77	1,425 [672]
	RCHL-48A1 (RGGD-10?ZCM?)	39,500 [11.6]	27,850 [8.2]	11,650 [3.4]	12.00	14.50	77	1,425 [672]
	RCHL-48A1 (RGGD-12?RCM?)	39,500 [11.6]	28,100 [8.2]	11,400 [3.3]	12.00	14.50	77	1,450 [684]
	RCHL-48A1 (RGJD-09?ZCM?)	39,500 [11.6]	27,900 [8.2]	11,600 [3.4]	12.00	14.50	77	1,425 [672]
	RCHL-48A1 (RGJD-10?ZCM?)	39,500 [11.6]	27,850 [8.2]	11,650 [3.4]	12.00	14.50	77	1,425 [672]
	RCHL-48A1 (RGJD-12?RCM?)	39,500 [11.6]	28,100 [8.2]	11,400 [3.3]	12.00	14.50	77	1,450 [684]
	RCHL-48A1 (RGLR-07?BRQ?)	39,500 [11.6]	27,800 [8.1]	11,700 [3.4]	12.00	14.50	77	1,425 [672]
	RCHL-48A1 (RGLR-10?BRM?)	39,500 [11.6]	27,800 [8.1]	11,700 [3.4]	12.00	15.00	77	1,375 [649]
	RCHL-48A1 (RGLR-12?ARM?)	39,500 [11.6]	27,800 [8.1]	11,700 [3.4]	12.00	15.00	77	1,425 [672]
	RCHL-48A1 (RGPR-07?BRQ?)	39,500 [11.6]	27,800 [8.1]	11,700 [3.4]	12.00	15.00	77	1,400 [661]
	RCHL-48A1 (RGPR-10?BRM?)	39,500 [11.6]	27,850 [8.2]	11,650 [3.4]	12.00	14.50	77	1,425 [672]
	RCHL-48A1 (RGPR-12?ARM?)	39,500 [11.6]	27,800 [8.1]	11,700 [3.4]	12.00	15.00	77	1,400 [661]
	RCHL-48A1 (RGRM-09?ZAJ?)	38,500 [11.3]	25,950 [7.6]	12,550 [3.7]	12.00	14.50	77	1,225 [578]
	RCHL-48A1 (RGRM-10?ZAJ?)	38,500 [11.3]	25,550 [7.5]	12,950 [3.8]	12.00	14.50	77	1,150 [543]
	RCHL-48A1 (RGRM-12?RAJ?)	39,000 [11.4]	26,400 [7.7]	12,600 [3.7]	12.00	14.50	77	1,225 [578]
	RHKL-HM4821 (RCSL-H*4821)	41,000 [12.0]	30,100 [8.8]	10,900 [3.2]	13.00	15.50	77	1,400 [661]
	RHLL-HM4821 (RCSL-H*4821)	41,000 [12.0]	30,100 [8.8]	10,900 [3.2]	13.00	15.50	77	1,400 [661]
	RHSL-HM4221 (RCSL-H*4821)	40,000 [11.7]	28,900 [8.5]	11,100 [3.3]	12.00	14.50	77	1,350 [637]
42	RCFL-H*4821+RXMD-C04 ①	48,500 [14.2]	34,350 [10.1]	14,150 [4.1]	12.00	14.50	77	1,600 [755]
	RCFL-A*4821 (RGGD-09?ZCM?)	48,000 [14.1]	32,600 [9.6]	15,400 [4.5]	12.00	14.50	77	1,425 [672]
	RCFL-A*4821 (RGGD-10?ZCM?)	48,000 [14.1]	32,600 [9.6]	15,400 [4.5]	12.00	14.50	77	1,425 [672]
	RCFL-A*4821 (RGLR-07?BRQ?)	48,500 [14.2]	33,000 [9.7]	15,500 [4.5]	12.50	15.00	77	1,425 [672]
	RCFL-A*4821 (RGLR-10?BRM?)	48,000 [14.1]	32,150 [9.4]	15,850 [4.6]	12.50	15.10	77	1,375 [649]
	RCFL-A*4821 (RGPR-07?BRQ?)	48,000 [14.1]	32,350 [9.5]	15,650 [4.6]	12.50	15.10	77	1,400 [661]
	RCFL-A*4821 (RGPR-10?BRM?)	48,000 [14.1]	32,550 [9.5]	15,450 [4.5]	12.00	14.50	77	1,425 [672]
	RCFL-A*4821+RXMD-C04	48,500 [14.2]	34,350 [10.1]	14,150 [4.1]	12.00	14.50	77	1,600 [755]
	RCFL-A*4824 (RGGD-09?ZCM?)	48,000 [14.1]	32,600 [9.6]	15,400 [4.5]	12.00	14.50	77	1,425 [672]
	RCFL-A*4824 (RGGD-10?ZCM?)	48,000 [14.1]	32,600 [9.6]	15,400 [4.5]	12.00	14.50	77	1,425 [672]
	RCFL-A*4824 (RGLR-07?BRQ?)	48,500 [14.2]	33,000 [9.7]	15,500 [4.5]	12.50	15.00	77	1,425 [672]
	RCFL-A*4824 (RGLR-10?BRM?)	48,000 [14.1]	32,150 [9.4]	15,850 [4.6]	12.50	15.10	77	1,375 [649]
	RCFL-A*4824 (RGPR-07?BRQ?)	48,000 [14.1]	32,350 [9.5]	15,650 [4.6]	12.50	15.10	77	1,400 [661]
	RCFL-A*4824 (RGPR-10?BRM?)	48,000 [14.1]	32,550 [9.5]	15,450 [4.5]	12.00	14.50	77	1,425 [672]
	RCFL-A*4824+RXMD-C04	48,500 [14.2]	34,350 [10.1]	14,150 [4.1]	12.00	14.50	77	1,600 [755]
	RCFL-H*4821 (RGGD-09?ZCM?)	48,000 [14.1]	32,600 [9.6]	15,400 [4.5]	12.00	14.50	77	1,425 [672]
	RCFL-H*4821 (RGGD-10?ZCM?)	48,000 [14.1]	32,600 [9.6]	15,400 [4.5]	12.00	14.50	77	1,425 [672]
	RCFL-H*4821 (RGJD-09?ZCM?)	48,000 [14.1]	32,600 [9.6]	15,400 [4.5]	12.00	14.50	77	1,425 [672]
	RCFL-H*4821 (RGJD-10?ZCM?)	48,000 [14.1]	32,600 [9.6]	15,400 [4.5]	12.00	14.50	77	1,425 [672]
	RCFL-H*4821 (RGLR-07?BRQ?)	48,500 [14.2]	33,000 [9.7]	15,500 [4.5]	12.50	15.00	77	1,425 [672]
	RCFL-H*4821 (RGLR-10?BRM?)	48,000 [14.1]	32,150 [9.4]	15,850 [4.6]	12.50	15.10	77	1,375 [649]
	RCFL-H*4821 (RGPR-07?BRQ?)	48,000 [14.1]	32,350 [9.5]	15,650 [4.6]	12.50	15.10	77	1,400 [661]
	RCFL-H*4821 (RGPR-10?BRM?)	48,000 [14.1]	32,550 [9.5]	15,450 [4.5]	12.00	14.50	77	1,425 [672]
	RCFL-H*4824 (RGGD-09?ZCM?)	48,000 [14.1]	32,600 [9.6]	15,400 [4.5]	12.00	14.50	77	1,425 [672]
	RCFL-H*4824 (RGGD-10?ZCM?)	48,000 [14.1]	32,600 [9.6]	15,400 [4.5]	12.00	14.50	77	1,425 [672]
	RCFL-H*4824 (RGJD-09?ZCM?)	48,000 [14.1]	32,600 [9.6]	15,400 [4.5]	12.00	14.50	77	1,425 [672]
	RCFL-H*4824 (RGJD-10?ZCM?)	48,000 [14.1]	32,600 [9.6]	15,400 [4.5]	12.00	14.50	77	1,425 [672]
	RCFL-H*4824 (RGLR-07?BRQ?)	48,500 [14.2]	33,000 [9.7]	15,500 [4.5]	12.50	15.00	77	1,425 [672]
	RCFL-H*4824 (RGLR-10?BRM?)	48,000 [14.1]	32,150 [9.4]	15,850 [4.6]	12.50	15.10	77	1,375 [649]
	RCFL-H*4824 (RGPR-07?BRQ?)	48,000 [14.1]	32,350 [9.5]	15,650 [4.6]	12.50	15.10	77	1,400 [661]
	RCFL-H*4824 (RGPR-10?BRM?)	48,000 [14.1]	32,550 [9.5]	15,450 [4.5]	12.00	14.50	77	1,425 [672]
	RCFL-H*4824 (RGGD-09?ZCM?)	48,000 [14.1]	32,600 [9.6]	15,400 [4.5]	12.00	14.50	77	1,425 [672]
	RCFL-H*4824 (RGGD-10?ZCM?)	48,000 [14.1]	32,600 [9.6]	15,400 [4.5]	12.00	14.50	77	1,425 [672]
RCFL-H*4824 (RGJD-09?ZCM?)	48,000 [14.1]	32,600 [9.6]	15,400 [4.5]	12.00	14.50	77	1,425 [672]	
RCFL-H*4824 (RGJD-10?ZCM?)	48,000 [14.1]	32,600 [9.6]	15,400 [4.5]	12.00	14.50	77	1,425 [672]	

① Highest sales volume tested combination required by D.O.E. test procedures.

[] Designates Metric Conversions

Performance Data @ ARI Standard Conditions—Cooling (con't.)

Model Numbers		80°F [26.5°C] DB/67°F [19.5°C] WB Indoor Air 95°F [35°C] DB Outdoor Air					Sound Rating dB	Indoor CFM [L/s]	
Outdoor Unit 14AJM	Indoor Coil and/or Air Handler	Total Capacity BTU/H [kW]	Net Sensible BTU/H [kW]	Net Latent BTU/H [kW]	EER	SEER			
Rev. 7/29/09	RCFL-H*4824 (RGLR-07?BRQ?)	48,500 [14.2]	33,000 [9.7]	15,500 [4.5]	12.50	15.00	77	1,425 [672]	
	RCFL-H*4824 (RGLR-10?BRM?)	48,000 [14.1]	32,150 [9.4]	15,850 [4.6]	12.50	15.10	77	1,375 [649]	
	RCFL-H*4824 (RGPR-07?BRQ?)	48,000 [14.1]	32,350 [9.5]	15,650 [4.6]	12.50	15.10	77	1,400 [661]	
	RCFL-H*4824 (RGPR-10?BRM?)	48,000 [14.1]	32,550 [9.5]	15,450 [4.5]	12.00	14.50	77	1,425 [672]	
	RCFL-H*4824 (RGRM-12?RAJ?)	48,000 [14.1]	32,600 [9.6]	15,400 [4.5]	12.00	14.50	77	1,425 [672]	
	RCFL-H*4824+RXMD-C04	48,500 [14.2]	34,350 [10.1]	14,150 [4.1]	12.00	14.50	77	1,600 [755]	
	RBHP-24 (RCHL-48A1)	47,000 [13.8]	32,150 [9.4]	14,850 [4.4]	12.00	14.00	77	1,600 [755]	
	RCHL-48A1 (RGLR-07?BRQ?)	46,500 [13.6]	31,800 [9.3]	14,700 [4.3]	11.50	14.00	77	1,625 [767]	
	RCHL-48A1 (RGLR-10?BRM?)	46,500 [13.6]	31,750 [9.3]	14,750 [4.3]	11.50	14.00	77	1,575 [743]	
	RCHL-48A1 (RGLR-12?ARM?)	46,500 [13.6]	31,750 [9.3]	14,750 [4.3]	11.50	14.00	77	1,600 [755]	
	RCHL-48A1 (RGPR-07?BRQ?)	46,500 [13.6]	31,800 [9.3]	14,700 [4.3]	11.50	14.00	77	1,625 [767]	
	RCHL-48A1 (RGPR-12?ARM?)	46,500 [13.6]	31,750 [9.3]	14,750 [4.3]	11.50	14.00	77	1,575 [743]	
	RCHL-48A1 (RGRM-12?RAJ?)	45,500 [13.3]	29,700 [8.7]	15,800 [4.6]	11.50	13.50	77	1,425 [672]	
	RCHL-48A1+RXMD-C04	46,500 [13.6]	31,800 [9.3]	14,700 [4.3]	11.00	13.50	77	1,600 [755]	
	RCHL-48A2 (RGLR-07?BRQ?)	46,500 [13.6]	31,800 [9.3]	14,700 [4.3]	11.50	14.00	77	1,625 [767]	
	RCHL-48A2 (RGLR-10?BRM?)	46,500 [13.6]	31,750 [9.3]	14,750 [4.3]	11.50	14.00	77	1,575 [743]	
	RCHL-48A2 (RGLR-12?ARM?)	46,500 [13.6]	31,750 [9.3]	14,750 [4.3]	11.50	14.00	77	1,600 [755]	
	RCHL-48A2 (RGPR-07?BRQ?)	46,500 [13.6]	31,800 [9.3]	14,700 [4.3]	11.50	14.00	77	1,625 [767]	
	RCHL-48A2 (RGPR-12?ARM?)	46,500 [13.6]	31,750 [9.3]	14,750 [4.3]	11.50	14.00	77	1,575 [743]	
	RCHL-48A2+RXMD-C04	46,500 [13.6]	31,800 [9.3]	14,700 [4.3]	11.00	13.50	77	1,600 [755]	
48	RHKL-HM4821 (RCSL-H*4821)	49,000 [14.4]	34,650 [10.2]	14,350 [4.2]	12.50	15.00	77	1,575 [743]	
	RHLL-HM4821 (RCSL-H*4821)	49,000 [14.4]	34,650 [10.2]	14,350 [4.2]	13.00	15.00	77	1,600 [755]	
	RHSL-HM4821 (RCSL-H*4821)	48,500 [14.2]	33,800 [9.9]	14,700 [4.3]	12.00	14.50	77	1,525 [720]	
	RHSL-HM4824 (RCSL-H*4821)	48,000 [14.1]	33,150 [9.7]	14,850 [4.4]	12.00	14.50	77	1,500 [708]	
	RHLL-HM4824 (RCSL-H*4824)	49,500 [14.5]	35,050 [10.3]	14,450 [4.2]	13.00	15.50	77	1,625 [767]	
	60	RCFL-H*6024+RXMD-C04 ①	59,500 [17.4]	40,950 [12.0]	18,550 [5.4]	12.00	14.50	77	1,600 [755]
		RCFL-A*6024 (RGFD-12?RCM?)	60,000 [17.6]	41,800 [12.2]	18,200 [5.3]	12.00	14.50	77	1,650 [779]
		RCFL-A*6024 (RGLR-07?BRQ?)	59,500 [17.4]	40,900 [12.0]	18,600 [5.4]	12.00	14.50	77	1,625 [767]
		RCFL-A*6024 (RGPR-07?BRQ?)	60,000 [17.6]	41,350 [12.1]	18,650 [5.5]	12.00	14.50	77	1,625 [767]
		RCFL-A*6024+RXMD-C04	59,500 [17.4]	40,950 [12.0]	18,550 [5.4]	12.00	14.50	77	1,600 [755]
		RCFL-H*6024 (RGFD-12?RCM?)	60,000 [17.6]	41,800 [12.2]	18,200 [5.3]	12.00	14.50	77	1,650 [779]
		RCFL-H*6024 (RGLR-07?BRQ?)	59,500 [17.4]	40,900 [12.0]	18,600 [5.4]	12.00	14.50	77	1,625 [767]
RCFL-H*6024 (RGPR-07?BRQ?)		60,000 [17.6]	41,350 [12.1]	18,650 [5.5]	12.00	14.50	77	1,625 [767]	
RCHL-60A1		55,000 [16.1]	36,000 [10.5]	19,000 [5.6]	11.50	13.50	77	1,800 [849]	
RHKL-HM6024 (RCSL-H*6024)		61,500 [18.0]	44,450 [13.0]	17,050 [5.0]	13.00	15.00	77	1,800 [849]	
RHLL-HM6024 (RCSL-H*6024)		61,500 [18.0]	44,600 [13.1]	16,900 [5.0]	13.00	15.00	77	1,825 [861]	
RHSL-HM6024 (RCSL-H*6024)		60,000 [17.6]	42,850 [12.6]	17,150 [5.0]	11.50	13.50	77	1,750 [826]	

① Highest sales volume tested combination required by D.O.E. test procedures.

[] Designates Metric Conversions

Electrical and Physical Data

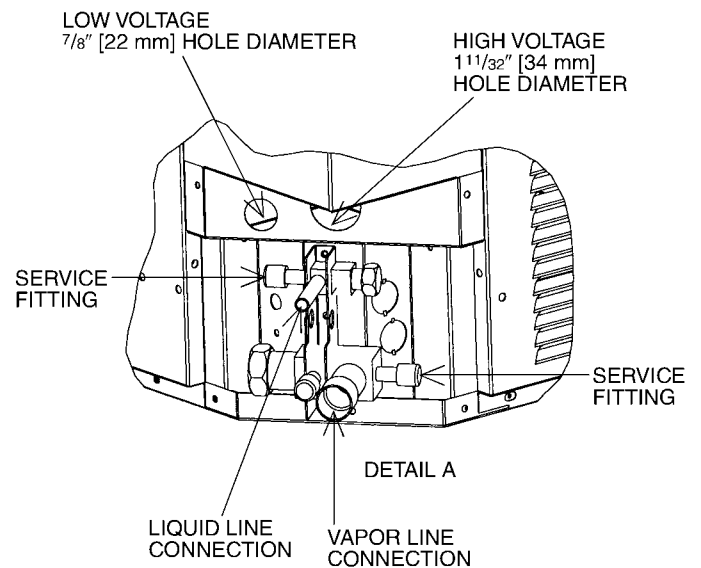
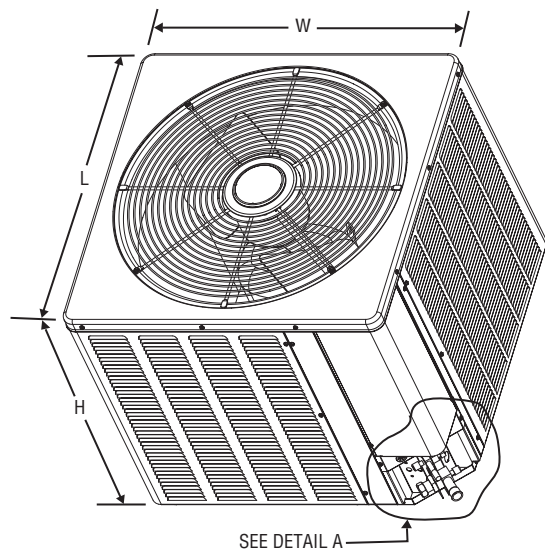
Model No. 14AJM	ELECTRICAL							PHYSICAL					
	Phase Frequency [HZ] Voltage [Volts]	Compressor		Fan Motor Full Load Amperes (FLA)	Minimum Circuit Ampacity Amperes	Fuse or HACR Circuit Breaker		Outdoor Coil			Refrigerant Per Circuit Oz. [g]	Weight	
		Rated Load Amperes (RLA)	Locked Rotor Amperes (LRA)			Minimum Amperes	Maximum Amperes	Face Area Sq. Ft. [m ²]	No. Rows	CFM [L/s]		Net Lbs. [kg]	Shipping Lbs. [kg]
Rev. 7/29/09													
18	1-60-208/230	9/9	48	0.8	12/12	15/15	20/20	16.39 [1.52]	1	2805 [1324]	112.0 [3175]	154 [69.9]	171 [77.6]
24	1-60-208/230	13.5/13.5	58.3	0.8	18/18	25/25	30/30	16.39 [1.52]	1	2805 [1324]	105.6 [2994]	154 [69.9]	171 [77.6]
30	1-60-208/230	12.8/12.8	64	0.8	17/17	25/25	25/25	16.39 [1.52]	1	3000 [1416]	112.0 [3175]	157 [71.2]	175 [79.4]
36	1-60-208/230	16.7/16.7	79	0.8	22/22	30/30	35/35	21.85 [2.03]	1	3570 [1685]	130.4 [3697]	181 [82.1]	201 [91.2]
42	1-60-208/230	17.9/17.9	112	2.8	26/26	30/30	40/40	21.85 [2.03]	1	3060 [1444]	145.12 [4114]	205 [93]	225 [102.1]
48	1-60-208/230	21.8/21.8	117	2.8	31/31	40/40	50/50	21.85 [2.03]	2	4105 [1937]	216.0 [6124]	249 [112.9]	269 [122]
60	1-60-208/230	26.4/26.4	134	2.8	36/36	45/45	60/60	21.85 [2.03]	2	4105 [1937]	240.0 [6804]	254 [115.2]	274 [124.3]

NOTE: Factory Refrigerant Charge includes refrigerant for 15 feet of standard line set.

Unit Dimensions

Model No. 14AJM	Unit Dimensions		
	Width "W" Inches [mm]	Length "L" Inches [mm]	Height "H" Inches [mm]
18, 24, 30	31 ⁵ / ₈ [803]	31 ⁵ / ₈ [803]	27 ³ / ₈ [695]
36, 42, 48, 60	31 ⁵ / ₈ [803]	31 ⁵ / ₈ [803]	35 ³ / ₈ [899]

[] Designates Metric Conversions



Condensing Unit Refrigerant Line Size Information

Liquid Line Sizing (R-410A)														
System Capacity	Liquid Line Connection Size (Inch I.D.)	Line Size (Inch O.D.) [mm]	Liquid Line Size – Outdoor Unit Above Indoor Coil (Cooling Only—Does not apply to Heat Pumps)						Liquid Line Size – Outdoor Unit Below Indoor Coil					
			Total Equivalent Length—Feet [m]						Total Equivalent Length—Feet [m]					
			25 [7.62]	50 [15.24]	75 [22.86]	100 [30.48]	125 [38.10]	150 [45.72]	25 [7.62]	50 [15.24]	75 [22.86]	100 [30.48]	125 [38.10]	150 [45.72]
			Minimum Vertical Separation—Feet [m]						Maximum Vertical Separation—Feet [m]					
1 1/2 Ton	3/8" [9.53]	1/4 [6.35]	0	0	0	0	8 [2.44]	24 [7.32]	25 [7.62]	40 [12.19]	25 [7.62]	9 [2.74]	N/A	N/A
		5/16 [7.94]	0	0	0	0	0	0	25 [7.62]	50 [15.24]	62 [18.90]	58 [17.68]	53 [16.15]	49 [14.94]
		3/8* [9.53]	0	0	0	0	0	0	25 [7.62]	50 [15.24]	75 [22.86]	72 [21.95]	70 [21.34]	68 [20.73]
2 Ton	3/8" [9.53]	1/4 [6.35]	0	3 [0.91]	29 [8.84]	55 [16.76]	81 [24.69]	108 [32.92]	23 [7.01]	N/A	N/A	N/A	N/A	N/A
		5/16 [7.94]	0	0	0	0	0	0	25 [7.62]	36 [10.97]	29 [8.84]	23 [7.01]	16 [4.88]	9 [2.74]
		3/8* [9.53]	0	0	0	0	0	0	25 [7.62]	50 [15.24]	72 [21.95]	70 [21.34]	68 [20.73]	65 [19.81]
2 1/2 Ton	3/8" [9.53]	1/4 [6.35]	0	14 [4.27]	56 [17.07]	98 [29.87]	N/A	N/A	25 [7.62]	N/A	N/A	N/A	N/A	N/A
		5/16 [7.94]	0	0	0	0	0	0	25 [7.62]	49 [14.94]	38 [11.58]	27 [8.23]	17 [5.18]	6 [1.83]
		3/8* [9.53]	0	0	0	0	0	0	25 [7.62]	50 [15.24]	68 [20.73]	65 [19.81]	62 [18.90]	58 [17.68]
3 Ton	3/8" [9.53]	5/16 [7.94]	0	0	0	0	0	9 [2.74]	25 [7.62]	50 [15.24]	37 [11.28]	22 [6.71]	7 [2.13]	N/A
		3/8* [9.53]	0	0	0	0	0	0	25 [7.62]	50 [15.24]	68 [20.73]	63 [19.20]	58 [17.68]	53 [16.15]
3 1/2 Ton	3/8" [9.53]	5/16 [7.94]	0	0	0	16 [4.88]	35 [10.67]	54 [16.46]	25 [7.62]	23 [7.01]	4 [1.22]	N/A	N/A	N/A
		3/8* [9.53]	0	0	0	0	0	0	25 [7.62]	50 [15.24]	43 [13.11]	36 [10.97]	30 [9.14]	24 [7.32]
4 Ton	3/8" [9.53]	3/8* [9.53]	0	0	0	0	0	0	25 [7.62]	46 [14.02]	38 [11.58]	30 [9.14]	22 [6.71]	15 [4.57]
		1/2 [12.57]	0	0	0	0	0	0	25 [7.62]	50 [15.24]	56 [17.07]	55 [16.76]	53 [16.15]	52 [15.85]
5 Ton	3/8" [9.53]	3/8* [9.53]	0	0	0	0	0	0	25 [7.62]	50 [15.24]	56 [17.07]	44 [13.41]	32 [9.75]	20 [6.10]
		1/2 [12.57]	0	0	0	0	0	0	25 [7.62]	50 [15.24]	75 [22.86]	81 [24.69]	79 [24.08]	76 [23.16]

NOTES: *Standard line size
N/A = Application not recommended.

Suction Line Length/Size versus Capacity Multiplier (R-410A)										
Unit Size		1 1/2 Ton	2 Ton	2 1/2 Ton	3 Ton	3 1/2 Ton	4 Ton	5 Ton		
Suction Line Connection Size		3/4" [19.05] I.D.				7/8" [22.23] I.D.				
Suction Line Run—Feet [m]		5/8" [15.88 mm] O.D. Optional 3/4" [19.05 mm] O.D. Standard*		5/8" [15.88 mm] O.D. Optional 3/4" [19.05 mm] O.D. Standard* 7/8" [22.23 mm] O.D. Optional		3/4" [19.05 mm] O.D. Optional 7/8" [22.23 mm] O.D. Standard*		7/8" [22.23 mm] O.D. Optional 1 1/8" [28.58 mm] O.D. Standard*		
25' [7.62]	Optional Standard Optional	1.00 1.00 —	1.00 1.00 —	1.00 1.00 1.00	1.00 1.00 —	1.00 1.00 —	1.00 1.00 —	1.00 1.00 —	1.00 1.00 —	
50' [15.24]	Optional Standard Optional	.98 .99 —	.98 .99 —	.96 .98 .99	.98 .99 —	.99 .99 —	.99 .99 —	.99 .99 —	.99 .99 —	
100' [30.48]	Optional Standard Optional	.95 .96 —	.95 .96 —	.94 .96 .97	.96 .97 —	.96 .98 —	.96 .98 —	.96 .98 —	.97 .98 —	
150' [45.72]	Optional Standard Optional	.92 .93 —	.92 .94 —	.91 .93 .95	.94 .95 —	.94 .96 —	.95 .96 —	.95 .96 —	.94 .97 —	

NOTES: *Standard line size
Using suction line larger than shown in chart will result in poor oil return and is not recommended.

[] Designates Metric Conversions

BEFORE PURCHASING THIS APPLIANCE, READ IMPORTANT ENERGY COST AND EFFICIENCY INFORMATION AVAILABLE FROM YOUR RETAILER.

GENERAL TERMS OF LIMITED WARRANTY

Rheem will furnish a replacement for any part of this product which fails in normal use and service within the applicable period stated, in accordance with the terms of the limited warranty.

Conditional Parts*
(Registration Required) Ten (10) Years
Conditional Compressor*
(Registration Required) Ten (10) Years
Any Other Part Five (5) Years

*For Complete Details of the Limited Warranty, Including Applicable Terms and Conditions, See Your Local Installer or visit www.Rheem.com.

NOTES

Before proceeding with installation, refer to installation instructions packaged with each model, as well as complying with all Federal, State, Provincial, and Local codes, regulations, and practices.

**Rheem Heating,
Cooling and
Water Heating**

P.O. Box 17010, Fort Smith, AR 72917



"In keeping with its policy of continuous progress and product improvement, Rheem reserves the right to make changes without notice."