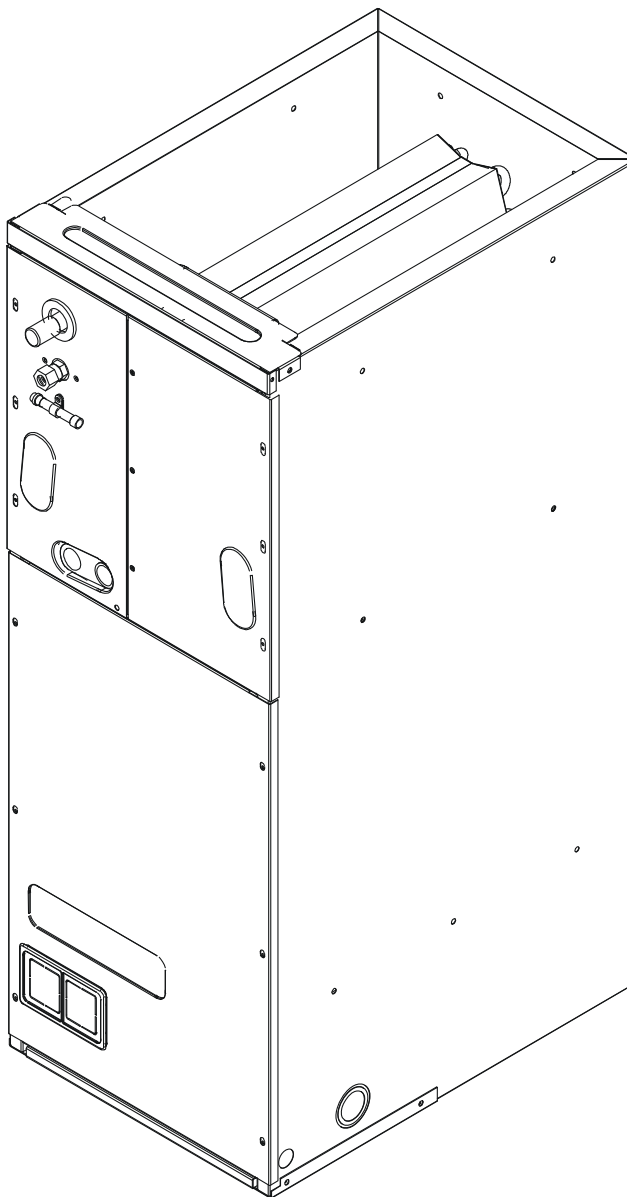


# REPAIR PARTS

## ADPF Dedicated Downflow Air Handlers

---

ADPF182416AA  
ADPF182416BA  
ADPF304216AA  
ADPF304216AB  
ADPF304216AC  
ADPF304216BA  
ADPF304216CA  
ADPF486016AA  
ADPF486016AB  
ADPF486016BA



This manual is to be used by qualified technicians only.

This manual replaces RP-381E

© 2005-2008, 2010 Goodman Manufacturing Company, L.P. ♦ 5151 San Felipe, Suite 500 ♦ Houston, TX 77056

# Important Information

---

## Index

Functional Parts List .....	3
Illustration and Parts .....	4 - 7

*Views shown are for parts illustrations only, not servicing procedures.*

Rev. F: Added model ADPF304216CA

### Text Codes:

AR - As Required

NA - Not Available

NS - Not Shown

00000000 - See Note

QTY - Quantity Example (QTY 3) (If Quantity not shown, Quantity = 1)

M - Model Example (M1) (If M Code not shown, then part is used on all Models)

### Expanded Model Nomenclature:

Example M1 - Model#1 M2 - Model#2 M3 - Model#3
---

Goodman Manufacturing Company, L.P. is not responsible for personal injury or property damage resulting from improper service. Review all service information before beginning repairs.

Warranty service must be performed by an authorized technician, using authorized factory parts. If service is required after the warranty expires, Goodman Manufacturing Company, L.P. also recommends contacting an authorized technician and using authorized factory parts.

Goodman Manufacturing Company, L.P. reserves the right to discontinue, or change at any time, specifications or designs without notice or without incurring obligations.

For assistance within the U.S.A. contact:  
Consumer Affairs Department  
Goodman Manufacturing Company, L.P.  
7401 Security Way  
Houston, Texas 77040  
877-254-4729-Telephone  
713-863-2382-Facsimile

For assistance outside the U.S.A. contact:  
International Division  
Goodman Manufacturing Company, L.P.  
7401 Security Way  
Houston, Texas 77040  
713-861-2500-Telephone  
713-863-2382-Facsimile

# Functional Parts

## Part

## No: Description:

---

11091204S	BLOWER MOTOR 1/2 HP, 3 SP, 8 PL (M3, M4, M5, M6, M7)
0131M00005PS	BLOWER MOTOR 1/3 HP, 3 SP, 6 PL (M1, M2)
0131M00000PS	BLOWER MOTOR 3/4 HP, 3 SP, 6 PL (M8, M9, M10)
D6723306S	BLOWER WHEEL (M8, M9, M10)
B1368016S	BLOWER WHEEL 10 X 8 (M3, M4, M5, M6, M7)
0150M00000S	BLOWER WHEEL 9 X 6 (M1, M2)
PCBFM131	BOARD, ELECTRONIC BLOWER TIME DELAY RELAY
CAP100000370VAS	CAPACITOR 10/370V (M1, M2)
CAP150000370VAS	CAPACITOR 15/370V (M3, M4, M5, M6, M7, M8, M9, M10)
1262405	COIL PAN ASSY (M8, M9, M10)
1262404	COIL PAN ASSY (M3, M4, M5, M6)
1262401	COIL PAN ASSY (M1, M2)
0270A00411S	COIL PAN ASSY (M7)
0162D00004P	FLOWRATOR .059 (M1)
0162D00028	FLOWRATOR .059 (M2)
0162D00006P	FLOWRATOR .078 (M3, M4, M5, M6)
0162A00043	FLOWRATOR .078 (M7)
0162D00007P	FLOWRATOR .093 (M8, M9, M10)
B1141643	TRANSFORMER 208/230, 24V

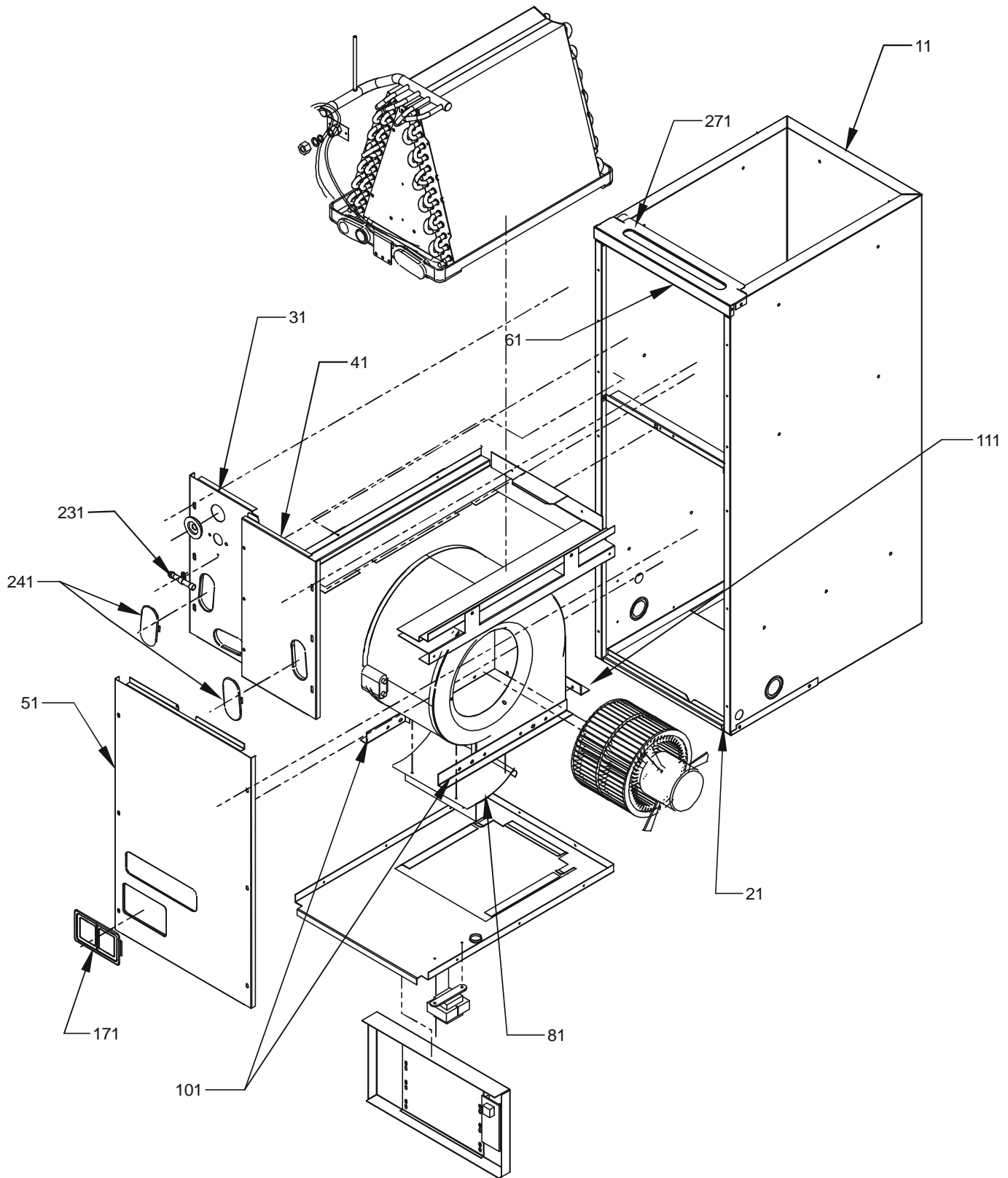
## SPECIAL PARTS

IO-355B	INSTRUCTION MANUAL
PKC-01B	PISTON KIT CHART

## Expanded Model Nomenclature

M1 - ADPF182416AA
M2 - ADPF182416BA
M3 - ADPF304216AA
M4 - ADPF304216AB
M5 - ADPF304216AC
M6 - ADPF304216BA
M7 - ADPF304216CA
M8 - ADPF486016AA
M9 - ADPF486016AB
M10 - ADPF486016BA

# Cabinet



# Cabinet

Ref. Part No:	Ref. Part No:	Description:	Description:
<i>Image 1:</i>			
11	1721121PDG	WRAPPER (M1, M2)	
11	1721123PDG	WRAPPER (M3, M4, M5, M6, M7, M8, M9, M10)	
21	0121A00035PDG	UPPER TIE PLATE (M3, M4, M5, M6, M7, M8, M9, M10)	
21	1721931PDG	UPPER TIE PLATE (M1, M2)	
31	1722077PDG	LOWER ACCESS PANEL (M1, M2)	
31	1722078PDG	LOWER ACCESS PANEL (M3, M4, M5, M6, M7, M8, M9, M10)	
41	1722079PDG	LOWER SERVICE PANEL (M1, M2)	
41	1722081PDG	LOWER SERVICE PANEL (M3, M4, M5, M6, M7, M8, M9, M10)	
51	1722082PDG	UPPER ACCESS PANEL (M1, M2)	
51	1722084PDG	UPPER ACCESS PANEL (M3, M4, M5, M6, M7, M8, M9, M10)	
61	1722085PDG	FILTER COVER (M1, M2)	
61	1722087PDG	FILTER COVER LRG (M3, M4, M5, M6, M7, M8, M9, M10)	
81	764741F	BLOWER BLOCK-OFF 10 X 10 (M9, M10)	
81	764740F	BLOWER BLOCK-OFF 10 X 8 (M4, M5, M6, M7)	
81	764736	BLOWER CUT-OFF 10 X 8 (M3)	
81	1824004	BLOWER CUT-OFF 11 & 10 X 10 (M8)	
81	764733F	BLOWER CUT-OFF 9 X 6 (M1, M2)	
101	0121A00016	BLOWER MOUNTING ANGLE (M3, M4)	
101	0121A00027	BLOWER MOUNTING ANGLE (M1, M2, M8)	
111	1717109	BLOWER MOUNTING ANGLE (M1, M2, M3, M8)	
171	B1392641	PLASTIC CIRCUIT BREAKER INSERT	
231	0210D00029	90 DEGREE STUB ASSY (M7)	
231	B1796630	INLET TUBE FLOWRATOR (M1, M2, M3, M4, M5, M6, M8, M9, M10)	
241	B1392640	PLASTIC DRAIN PLUG	
271	1721918	BOTTOM TIE LRG (M3, M4, M5, M6, M7, M8, M9, M10)	
271	1721916	BOTTOM TIE PLATE SML (M1, M2)	

## Expanded Model Nomenclature

M1 - ADPF182416AA
M2 - ADPF182416BA
M3 - ADPF304216AA
M4 - ADPF304216AB
M5 - ADPF304216AC
M6 - ADPF304216BA
M7 - ADPF304216CA
M8 - ADPF486016AA
M9 - ADPF486016AB
M10 - ADPF486016BA



# Internal Components

Ref. Part No:	Ref. Part No:	Description:	Description:		
<i>Image 1:</i>		<i>Image 2:</i>			
31	D6723306S	BLOWER WHEEL (M8, M9, M10)	82	M0250565	TC SCREW 1.25" (M4, M5, M6, M7, M9, M10)
31	B1368016S	BLOWER WHEEL 10 X 8 (M3, M4, M5, M6, M7)	92	B1393323	MACHINE SCREW HWH 1/4-20 X 1-1/2 BZ (M3, M4, M5, M6, M7, M8, M9, M10)
31	0150M00000S	BLOWER WHEEL 9 X 6 (M1, M2)	132	B1393800	LOCKNUT, NYLON, INSERT 1/4, 20 (M3, M4, M5, M6, M7, M8, M9, M10)
91	0271A00016S	BLOWER HOUSING ASSY 10 X 10 (M8, M9, M10)	<b>Expanded Model Nomenclature</b>		
91	0271A00029	BLOWER HOUSING ASSY 10 X 8 (M5, M6, M7)	<div style="border: 1px solid black; padding: 5px;"> M1 - ADPF182416AA  M2 - ADPF182416BA  M3 - ADPF304216AA  M4 - ADPF304216AB  M5 - ADPF304216AC  M6 - ADPF304216BA  M7 - ADPF304216CA  M8 - ADPF486016AA  M9 - ADPF486016AB  M10 - ADPF486016BA </div>		
91	0271A00022	BLOWER HOUSING ASSY 10X8 (M4)			
91	1439389S	BLOWER HOUSING ASSY 9 X 6 (M1, M2)			
91	1439391S	BLOWER HOUSING ASSY w/o CUT-OFF 764736 (M3)			
131	CAP100000370VAS	CAPACITOR 10/370V (M1, M2)			
131	CAP150000370VAS	CAPACITOR 15/370V (M3, M4, M5, M6, M7, M8, M9, M10)			
141	B1141643	TRANSFORMER 208/230, 24V			
161	PCBFM131	BOARD, ELECTRONIC BLOWER TIME DELAY RELAY			
171	0259A00001P	WIRE ASSY, 9-PIN FEMALE CONNECTOR (M1, M2)			
171	0259A00005P	WIRE ASSY, 9-PIN FEMALE CONNECTOR (M3, M4, M5, M6, M7, M8, M9, M10)			
181	0259A00002P	WIRE ASSY, 9-PIN MALE CONNECTOR			
201	0154A00000BL	DRAIN PAN GASKET			
221	B1756013L	PLASTIC DRAIN PAN (VERTICAL) (M1, M2)			
221	B1756020L	PLASTIC DRAIN PAN (VERTICAL) (M3, M4, M5, M6, M7, M8, M9, M10)			
241	0270A00411S	COIL PAN ASSY (M7)			
241	1262401	COIL PAN ASSY (M1, M2)			
241	1262404	COIL PAN ASSY (M3, M4, M5, M6)			
241	1262405	COIL PAN ASSY (M8, M9, M10)			
271	1284835	CAPACITOR STRAP			
341	B821700	CAPACITOR BOOT (M3)			
NS	0162D00004P	FLOWRATOR .059 (M1)			
NS	0162D00028	FLOWRATOR .059 (M2)			
NS	0162A00043	FLOWRATOR .078 (M7)			
NS	0162D00006P	FLOWRATOR .078 (M3, M4, M5, M6)			
NS	0162D00007P	FLOWRATOR .093 (M8, M9, M10)			
<i>Image 2:</i>					
22	11091204S	BLOWER MOTOR 1/2 HP, 3 SP, 8 PL (M3, M4, M5, M6, M7)			
22	0131M00005PS	BLOWER MOTOR 1/3 HP, 3 SP, 6 PL (M1, M2)			
22	0131M00000PS	BLOWER MOTOR 3/4 HP, 3 SP, 6 PL (M8, M9, M10)			
42	0121M00038	MOTOR MOUNT BAND (M3, M4, M5, M6, M7)			
42	0121M00039	MOTOR MOUNT BAND (HEAVY DUTY) (M8, M9, M10)			
52	B1376853	MOTOR MOUNT ARM (M3, M4, M5, M6, M7)			
52	B1376863	MOTOR MOUNT ARM (HEAVY DUTY) (M8, M9, M10)			
82	B1393322	MACHINE SCREW HWH 1/4-20 X 1-1/2 BZ (M3, M8)			
82	B1393309	MACHINE SCREW, 1/4-20 TPI X 3/4" LG (M1, M2)			

**THIS PAGE INTENTIONALLY LEFT BLANK**