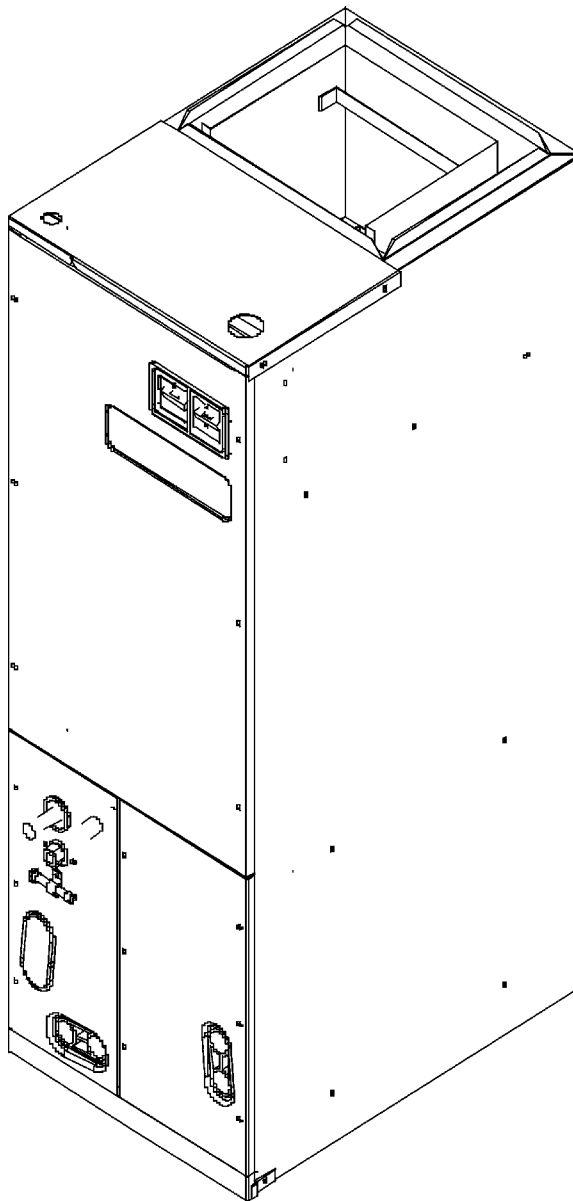


# REPAIR PARTS

## ASPF Aluminum Coil Air Handlers

---

ASPF183016CA  
ASPF183016EA  
ASPF313716CA



This manual is to be used by qualified technicians only.

© 2010 Goodman Manufacturing Company, L.P. ♦ 5151 San Felipe, Suite 500 ♦ Houston, TX 77056

# Important Information

---

## Index

Functional Parts List .....	3
Illustration and Parts .....	4 - 7

*Views shown are for parts illustrations only, not servicing procedures.*

### Text Codes:

AR - As Required

NA - Not Available

NS - Not Shown

00000000 - See Note

QTY - Quantity Example (QTY 3) (If Quantity not shown, Quantity = 1)

M - Model Example (M1) (If M Code not shown, then part is used on all Models)

### Expanded Model Nomenclature:

Example M1 - Model#1 M2 - Model#2 M3 - Model#3
---

Goodman Manufacturing Company, L.P. is not responsible for personal injury or property damage resulting from improper service. Review all service information before beginning repairs.

Warranty service must be performed by an authorized technician, using authorized factory parts. If service is required after the warranty expires, Goodman Manufacturing Company, L.P. also recommends contacting an authorized technician and using authorized factory parts.

Goodman Manufacturing Company, L.P. reserves the right to discontinue, or change at any time, specifications or designs without notice or without incurring obligations.

For assistance within the U.S.A. contact:  
Consumer Affairs Department  
Goodman Manufacturing Company, L.P.  
7401 Security Way  
Houston, Texas 77040  
877-254-4729-Telephone  
713-863-2382-Facsimile

For assistance outside the U.S.A. contact:  
International Division  
Goodman Manufacturing Company, L.P.  
7401 Security Way  
Houston, Texas 77040  
713-861-2500-Telephone  
713-863-2382-Facsimile

# Functional Parts

## Part

## No: Description:

---

B1368048S	BLOWER WHEEL 10 X 10 (M3)
B1368037S	BLOWER WHEEL 9 X 8 (M1, M2)
0130A00004	FUSE HOLDER
B1370752	HEAT RELAY 208-230, 460, 575
0131M00254	MOTOR-1/2 HP PROGRAMMED (M2)
0131M00105	MOTOR-1/2 HP PROGRAMMED X-13 (M1)
0131M00107	MOTOR-3/4 HP PROGRAMMED X-13 (M3)
0130M00020	TERMINAL BOARD
B1141643	TRANSFORMER 208/230, 24V

### SPECIAL PARTS

IO-355E INSTRUCTION MANUAL

PKC-01E PISTON KIT CHART

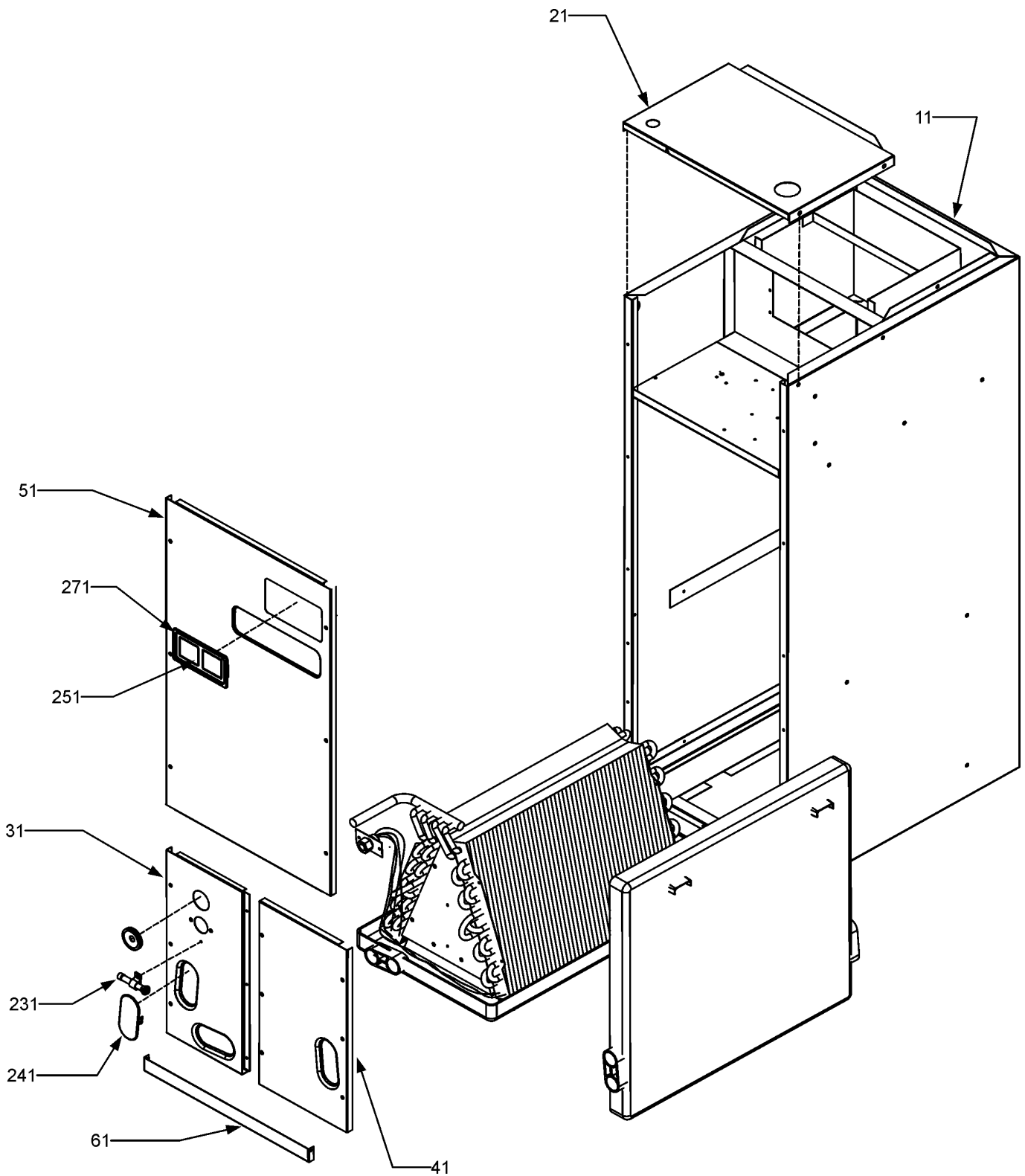
### Expanded Model Nomenclature

M1 - ASPF183016CA

M2 - ASPF183016EA

M3 - ASPF313716CA

# Cabinet



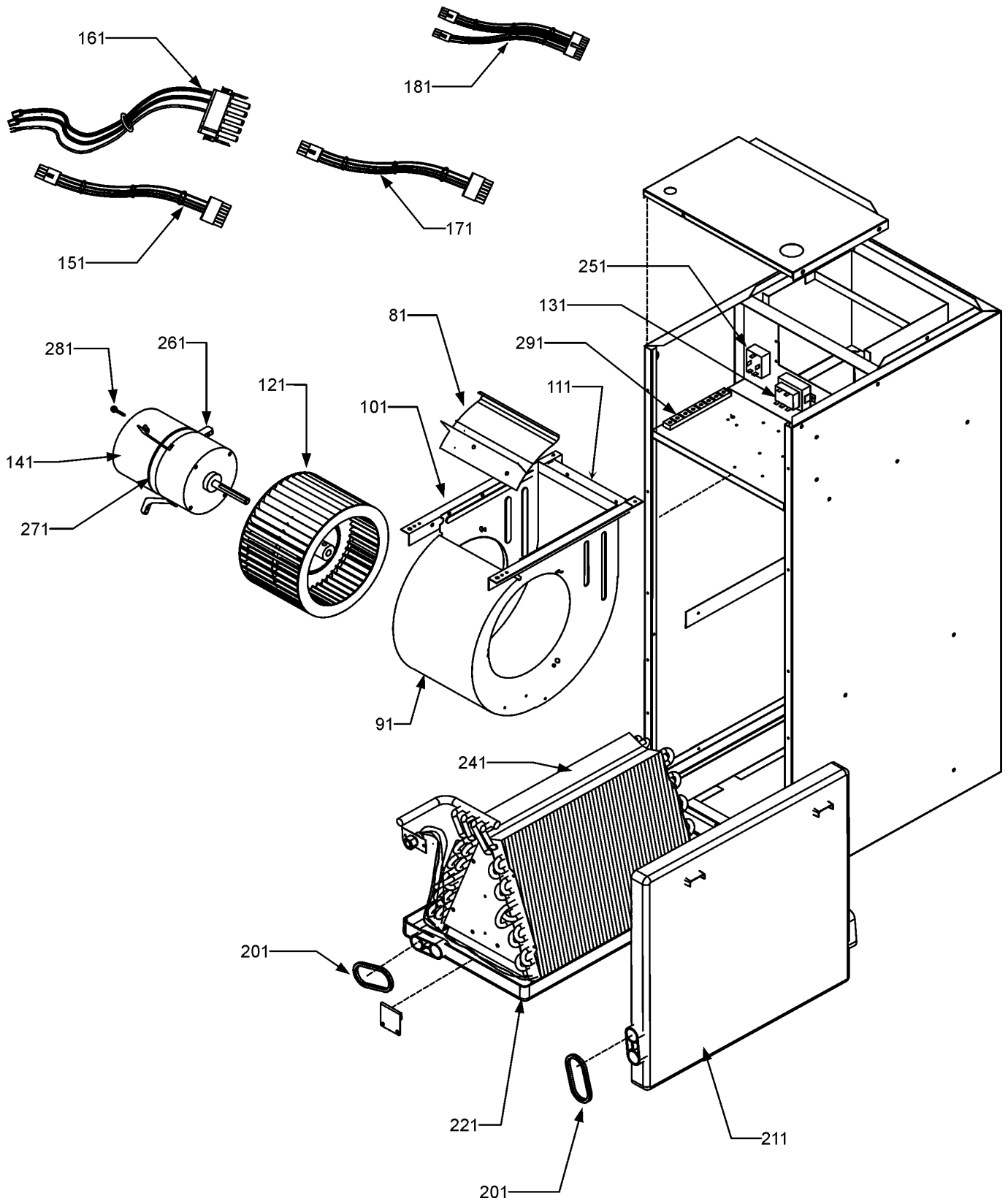
# Cabinet

Ref. Part No:	No:	Description:	Ref. Part No:	No:	Description:
<i>Image 1:</i>					
11	1721122PDG	WRAPPER (M1, M2)			
11	1721123PDG	WRAPPER (M3)			
21	0121A00033PDG	UPPER TIE PLATE (M1, M2)			
21	0121A00035PDG	UPPER TIE PLATE (M3)			
31	1722077PDG	LOWER ACCESS PANEL (M1, M2)			
31	1722078PDG	LOWER ACCESS PANEL (M3)			
41	1722080PDG	LOWER SERVICE PANEL (M1, M2)			
41	1722081PDG	LOWER SERVICE PANEL (M3)			
51	1722083PDG	UPPER ACCESS PANEL (M1, M2)			
51	1722084PDG	UPPER ACCESS PANEL (M3)			
61	1722087PDG	FILTER COVER LRG (M3)			
61	1722086PDG	FILTER COVER MED (M1, M2)			
231	BT1369063	90 DEGREE STUB			
241	B1392640	PLASTIC DRAIN COVER (QTY 2)			
251	B1392641	PLASTIC CIRCUIT BREAKER INSERT			
271	B13926122	CIRCUIT BREAKER INSERT GASKET			
NS	1721918	BOTTOM TIE LRG (M3)			
NS	1721917	BOTTOM TIE MED (M1, M2)			

## Expanded Model Nomenclature

M1 - ASPF183016CA
M2 - ASPF183016EA
M3 - ASPF313716CA

# Internal Components



# Internal Components

Ref. Part No:	Part No:	Description:	Ref. Part No:	Part No:	Description:
<i>Image 1:</i>					
81	764734F	BLOWER CUT-OFF (M1, M2)			
81	0270A00107	BLOWER CUT-OFF 11 X 10 (M3)			
91	0270A00132S	BLOWER HOUSING ASSY (M3)			
91	1439392S	BLOWER HOUSING ASSY 9 X 8 (M1, M2)			
101	0121A00027	BLOWER MOUNTING ANGLE (QTY 2)			
111	1717109	BLOWER MOUNTING ANGLE			
121	B1368048S	BLOWER WHEEL 10 X 10 (M3)			
121	B1368037S	BLOWER WHEEL 9 X 8 (M1, M2)			
131	B1141643	TRANSFORMER 208/230, 24V			
141	0131M00254	MOTOR-1/2 HP PROGRAMMED (M2)			
141	0131M00105	MOTOR-1/2 HP PROGRAMMED X-13 (M1)			
141	0131M00107	MOTOR-3/4 HP PROGRAMMED X-13 (M3)			
151	0259A00002P	WIRE ASSY, 9-PIN MALE CONNECTOR			
161	0130M00022	POWER HARNESS			
171	0259A00006	WIRE ASSY, 9 PIN FEMALE CONN.			
181	0130M00021	MOTOR CONTROL HARNESS			
201	0154A00000BL	DRAIN PAN GASKET (QTY 2)			
211	B1756022L	PLASTIC DRAIN PAN (HORIZONTAL) (M1, M2)			
211	B1756028L	PLASTIC DRAIN PAN (HORIZONTAL) (M3)			
221	B1756017L	PLASTIC DRAIN PAN (VERTICAL) (M1, M2)			
221	B1756020L	PLASTIC DRAIN PAN (VERTICAL) (M3)			
241	0270A00419	ASSY, COIL TUBING (M1, M2)			
241	0270A00428	ASSY, COIL TUBING (M3)			
251	B1370752	HEAT RELAY 208-230, 460, 575			
261	B1376853	MOTOR MOUNT ARM (M3)			
261	B1376861	MOTOR MOUNT ARM (M1, M2)			
271	0121M00038	MOTOR MOUNT BAND			
281	B1393322	MACHINE SCREW HWH 1/4-20 X 1-1/2 BZ (QTY 3)			
291	0130M00020	TERMINAL BOARD			
NS	B1373311	ACCESS VALVE FITTING			
NS	B9102097	CAP W/O-RING			
NS	0162A00050	FLOWRATOR .065 (M3)			
NS	0162A00060	FLOWRATOR .065 (M1, M2)			
NS	0130A00004	FUSE HOLDER			
NS	B1393800	LOCKNUT, NYLON, INSERT 1/4, 20			
NS	B1393323	MACHINE SCREW HWH 1/4-20 X 1-1/2 BZ			
NS	BT1787000	VALVE CORE			

## Expanded Model Nomenclature

M1 - ASPF183016CA
M2 - ASPF183016EA
M3 - ASPF313716CA

**THIS PAGE INTENTIONALLY LEFT BLANK**