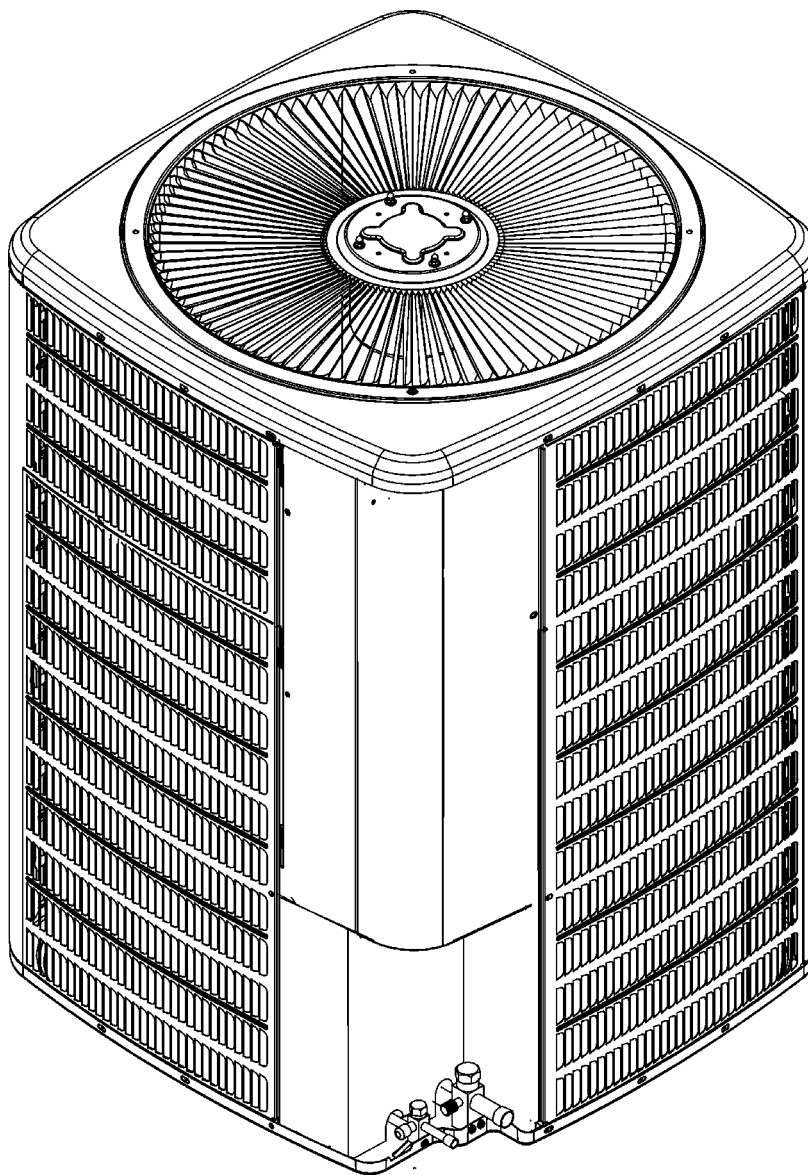


REPAIR PARTS

SSX 16 SEER Remote Condensing Unit

SSX160241AA
SSX160241AB
SSX160241BA
SSX160301AA
SSX160361AA
SSX160361AB
SSX160361BA
SSX160421AA
SSX160481AA
SSX160481AB
SSX160481BA
SSX160591AA
SSX160601AA
SSX160601AB
SSX160601BA



This manual is to be used by qualified technicians only.

This manual replaces RP-361D

© 2009-2010 Goodman Manufacturing Company, L.P. ♦ 5151 San Felipe, Suite 500 ♦ Houston, TX 77056

Important Information

Index

Functional Parts List	3
Illustration and Parts	4 - 9

Views shown are for parts illustrations only, not servicing procedures.

Revision E: Added model SSX160481BA

Text Codes:

AR - As Required

NA - Not Available

NS - Not Shown

00000000 - See Note

QTY - Quantity Example (QTY 3) (If Quantity not shown, Quantity = 1)

M - Model Example (M1) (If M Code not shown, then part is used on all Models)

Expanded Model Nomenclature:

Example M1 - Model#1 M2 - Model#2 M3 - Model#3

Goodman Manufacturing Company, L.P. is not responsible for personal injury or property damage resulting from improper service. Review all service information before beginning repairs.

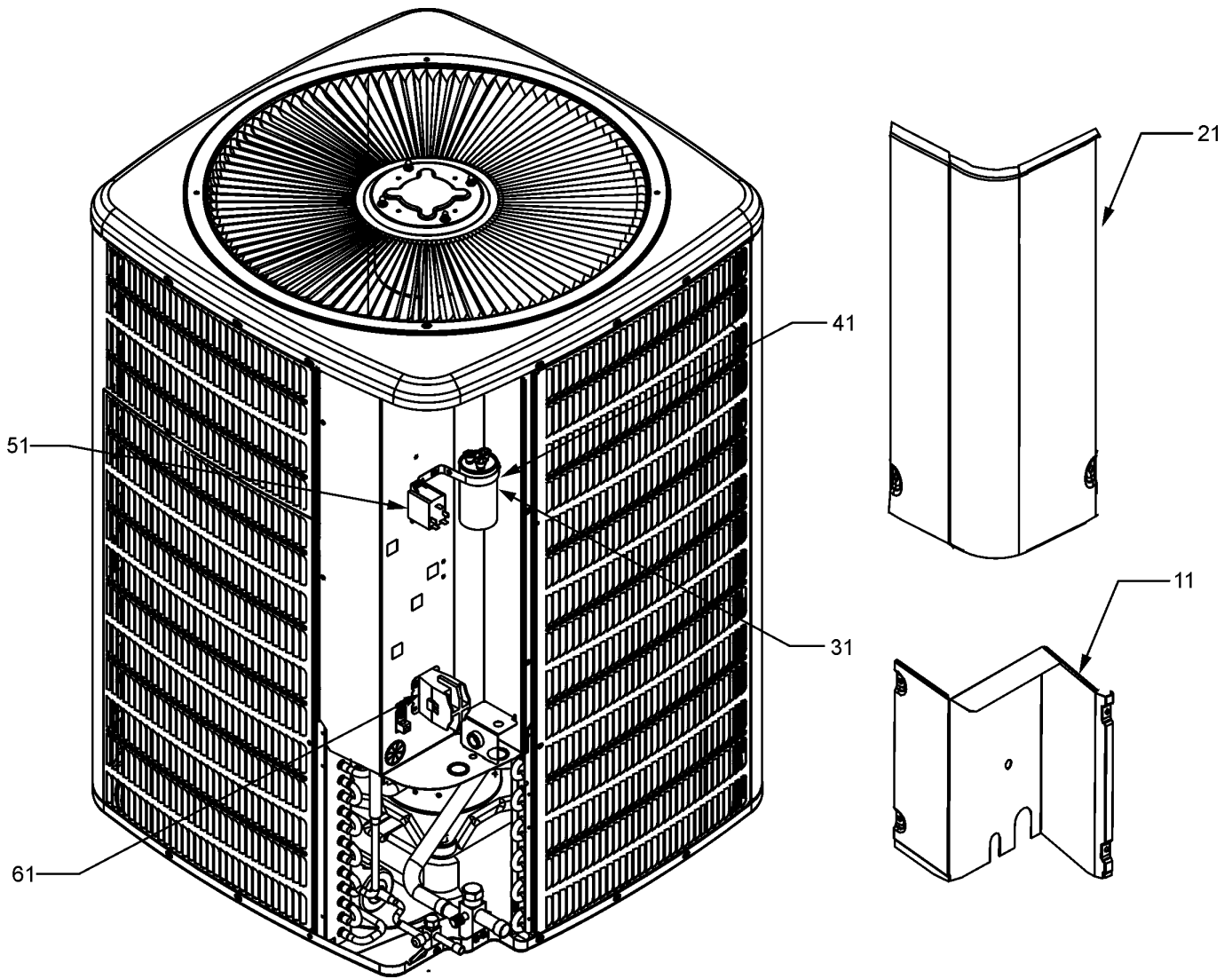
Warranty service must be performed by an authorized technician, using authorized factory parts. If service is required after the warranty expires, Goodman Manufacturing Company, L.P. also recommends contacting an authorized technician and using authorized factory parts.

Goodman Manufacturing Company, L.P. reserves the right to discontinue, or change at any time, specifications or designs without notice or without incurring obligations.

For assistance within the U.S.A. contact:
Consumer Affairs Department
Goodman Manufacturing Company, L.P.
7401 Security Way
Houston, Texas 77040
877-254-4729-Telephone
713-863-2382-Facsimile

For assistance outside the U.S.A. contact:
International Division
Goodman Manufacturing Company, L.P.
7401 Security Way
Houston, Texas 77040
713-861-2500-Telephone
713-863-2382-Facsimile

Control Cover / Control Box



Control Cover / Control Box

Ref. Part No: No:	Description:	Ref. Part No: No:	Description:
-------------------	--------------	-------------------	--------------

Image 1:

11	0121R00096PDG	LOWER ACCESS PANEL (M3, M4, M7)
11	0121R00098PDG	LOWER ACCESS PANEL (M8, M11)
11	4400205PDG	LOWER ACCESS PANEL (M1, M2, M5, M6, M9, M10, M12)
11	4400209PDG	LOWER ACCESS PANEL (M13, M14, M15)
21	0121R00053PDG	CONTROL COVER (M1, M2, M3, M4, M5, M6, M7, M8, M9, M10, M11, M12)
21	0121R00054PDG	CONTROL COVER (M13, M14, M15)
31	CAP050350440RSS	CAPACITOR 5/35/440V (M1, M2, M3)
31	CAP050400440RTS	CAPACITOR 5/40/440V (M4)
31	CAP050450440RTS	CAPACITOR 5/45/440V (M5, M6, M7, M8, M9, M10, M11)
31	CAP050700440RTS	CAPACITOR 5/70/440V (M12)
31	CAP050800440RTS	CAPACITOR 5/80/440V (M13, M14, M15)
41	4400065	CAPACITOR STRAP
51	10135604	RELAY (M13, M14, M15)
61	CONT2P025024VS	CONTACTOR 25 AMP, 2P, 24V (M1, M2, M3, M4, M5, M6, M7)
61	CONT2P030024VS	CONTACTOR 30 AMP, 2P, 24V (M8, M9, M10, M11)
61	CONT2P040024VS	CONTACTOR 40 AMP, 2P, 24V (M12, M13, M14, M15)
NS	0161R00009P	NAMEPLATE

Expanded Model Nomenclature

M1 - SSX160241AA
M2 - SSX160241AB
M3 - SSX160241BA
M4 - SSX160301AA
M5 - SSX160361AA
M6 - SSX160361AB
M7 - SSX160361BA
M8 - SSX160421AA
M9 - SSX160481AA
M10 - SSX160481AB
M11 - SSX160481BA
M12 - SSX160591AA
M13 - SSX160601AA
M14 - SSX160601AB
M15 - SSX160601BA

Compressor / Tubing Assembly

Image 1

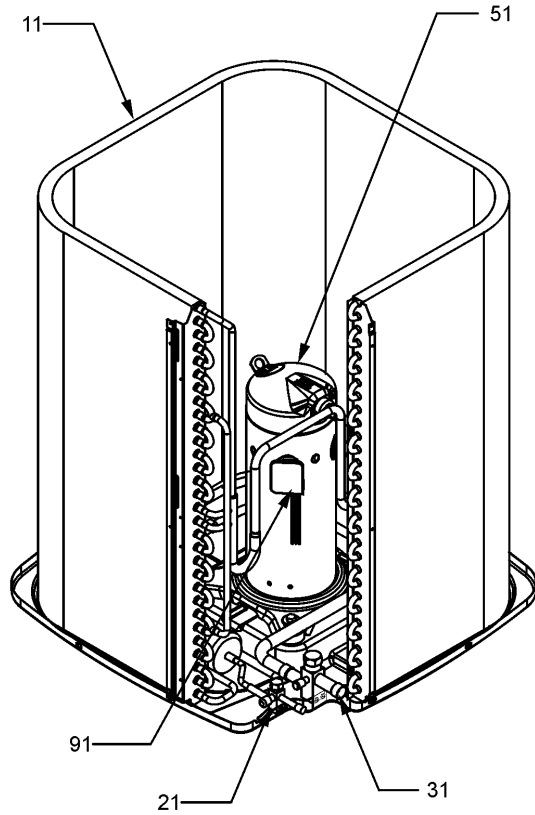


Image 2

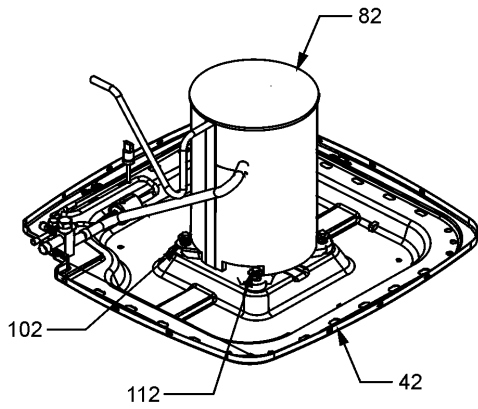
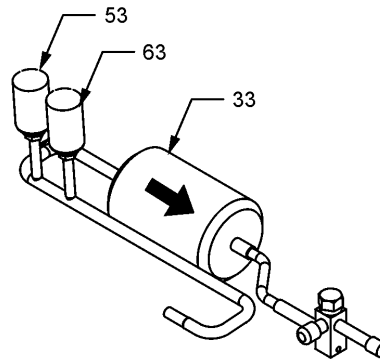


Image 3



Compressor / Tubing Assembly

Ref. Part No: No:	Description:	Ref. Part No: No:	Description:
-------------------	--------------	-------------------	--------------

Image 1:

11	0201R00078	TUBING ASSY, COND COIL (M1, M2)
11	0201R00279	TUBING ASSY, COND COIL (M7)
11	0201R00299	TUBING ASSY, COND COIL (M3, M4)
11	0201R00312	TUBING ASSY, COND COIL (M11)
11	0201R00316	TUBING ASSY, COND COIL (M8)
11	1362105	TUBING ASSY, COND COIL (M5, M6)
11	1362110	TUBING ASSY, COND COIL (M13, M14, M15)
11	1362111	TUBING ASSY, COND COIL (M9, M10, M12)
21	B12825171	3/8" SERVICE VALVE
31	0151R00002P	3/4" SERVICE VALVE OPEN LEFT (M1, M2, M3, M4, M5, M6, M7)
31	0151R00003P	7/8" SERVICE VALVE OPEN LEFT (M8, M9, M10, M11, M12, M13, M14, M15)
51	ZP20K5EPFV830	COMPRESSOR 20000, 208/230/60/1 (M1, M2, M3)
51	ZP24K5EPFV830	COMPRESSOR 24000, 208/230/60/1 (M4)
51	ZP29K5EPFV830	COMPRESSOR 29000, 208/230/60/1 (M5, M6, M7)
51	ZP31K5EPFV830	COMPRESSOR 31100, 208/230/60/1 (M8)
51	ZP39K5EPFV830	COMPRESSOR 39000, 208/230/60/1 (M9, M10, M11)
51	ZPS49K4EPFV230	COMPRESSOR 49200, 208/230/60/1/2STG (M15)
51	ZP49K5EPFV130	COMPRESSOR 49400, 208/230/60/1 (M12)
51	ZPS51K4EPFV930	COMPRESSOR 52000, 208/230/60/1/2STG (M13, M14)
91	0159R00001P	COMPRESSOR SCROLL HARNESS (M1, M2, M3, M4, M5, M6, M7, M8)
91	0159R00002P	COMPRESSOR SCROLL HARNESS (M9, M10, M11, M12)
91	20468101	COMPRESSOR SOLENOID CABLE (M13, M14, M15)
NS	B1789870	FLOW CHECK PISTON KIT .070 (M8)

Expanded Model Nomenclature

M1 - SSX160241AA
M2 - SSX160241AB
M3 - SSX160241BA
M4 - SSX160301AA
M5 - SSX160361AA
M6 - SSX160361AB
M7 - SSX160361BA
M8 - SSX160421AA
M9 - SSX160481AA
M10 - SSX160481AB
M11 - SSX160481BA
M12 - SSX160591AA
M13 - SSX160601AA
M14 - SSX160601AB
M15 - SSX160601BA

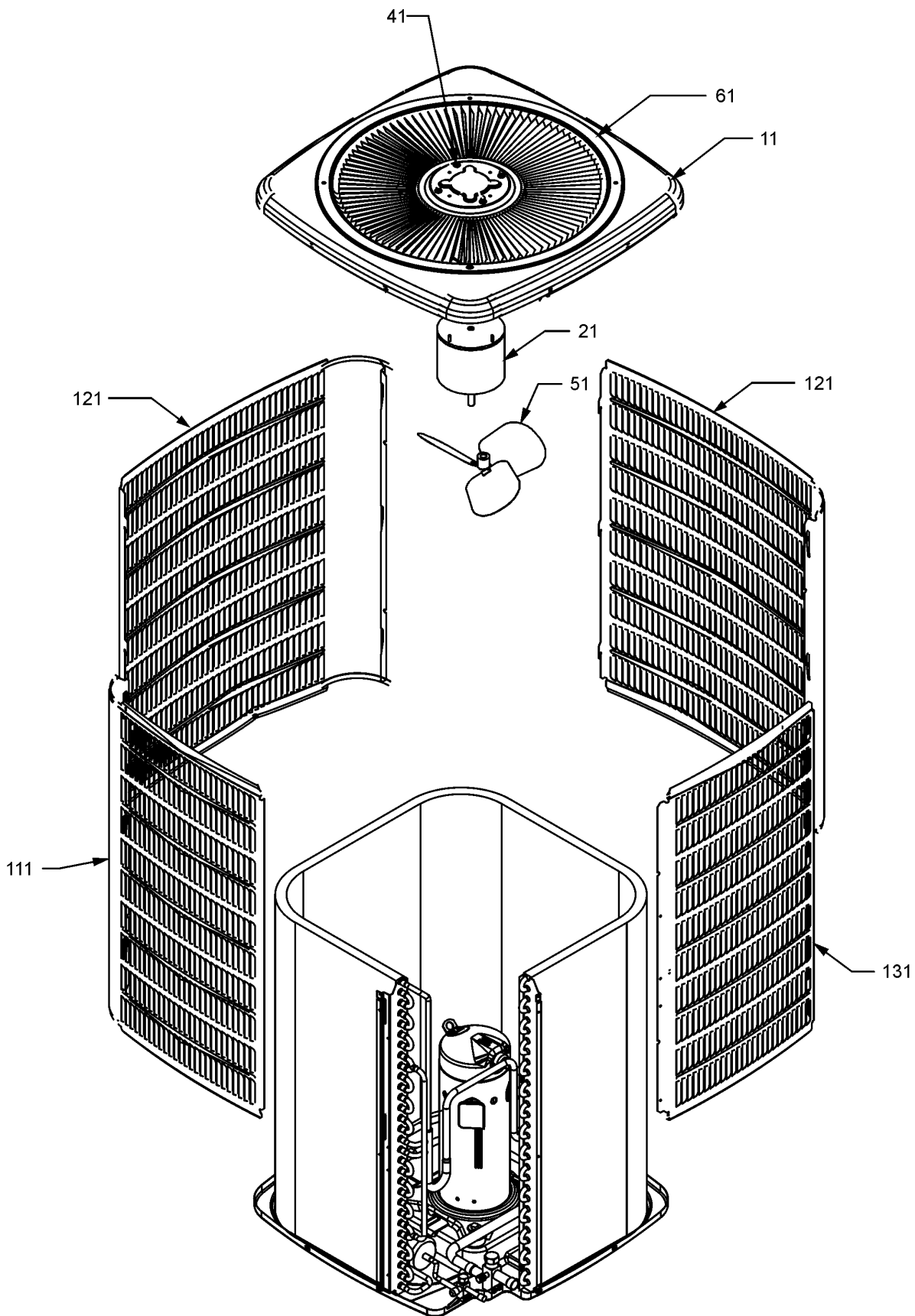
Image 2:

42	0121R00006PDG	BASE PAN 29" (M1, M2, M3, M4, M5, M6, M7, M8)
42	0121R00007PDG	BASE PAN 35" (M9, M10, M11, M12, M13, M14, M15)
82	B1488806	COMPRESSOR SOUND BLANKET (M9, M10, M11, M12, M13, M14, M15)
82	B1488807	COMPRESSOR SOUND BLANKET (M1, M2, M5, M6)
82	B1488810	COMPRESSOR SOUND BLANKET (M3, M4, M7, M8)
102	B1339533	COMPRESSOR GROMMET (QTY 4)
112	M0221641	TF SHOULDER SCREW (QTY 4)

Image 3:

33	0162R00009	FILTER DRIER
53	0130M00082	LOW PRESSURE SWITCH (M4, M8, M11, M12)
53	0130R00000S	LOW PRESSURE SWITCH (M1, M2, M3, M5, M6, M7, M9, M10, M13, M14, M15)
63	20322603	HIGH PRESSURE SWITCH

Cabinet Top / Side Panels



Cabinet Top / Side Panels

Ref. Part No:	No:	Description:	Ref. Part No:	No:	Description:
<i>Image 1:</i>			Expanded Model Nomenclature		
11	0121R00010PDG	TOP PANEL 29" (M1, M2, M3, M4, M5, M6, M7, M8)	M1 -	SSX160241AA	
11	0121R00012PDG	TOP PANEL 35" (M9, M10, M11, M12, M13, M14, M15)	M2 -	SSX160241AB	
21	0131M00019PS	COND MOTOR 1/12 HP, 1 SP, 8 PL (M1, M2)	M3 -	SSX160241BA	
21	0131M00061S	COND MOTOR 1/4 HP, 1 SP, 8 PL (M8, M11, M12)	M4 -	SSX160301AA	
21	0131M00012PS	COND MOTOR 1/6 HP, 1 SP, 8 PL (M5, M6, M9, M10)	M5 -	SSX160361AA	
21	0131M00060S	COND MOTOR 1/6 HP, 1 SP, 8 PL (M3, M4, M7)	M6 -	SSX160361AB	
21	0131M00038S	COND MOTOR 1/6 HP, 2 SP, 8 PL (M13, M14, M15)	M7 -	SSX160361BA	
41	0163M00006P	ACORN NUT 5/16 HEX BLACK (M2, M3, M4, M6, M7, M8, M9, M10, M11, M12, M14, M15)	M8 -	SSX160421AA	
41	B1783803	ACORN NUT 5/16 HEX YELLOW ZINC (M1, M5, M13)	M9 -	SSX160481AA	
51	10625733S	FAN BLADE 22" ALUM CCW (M5, M6)	M10 -	SSX160481AB	
51	10625737S	FAN BLADE 22" ALUM CCW (M1, M2)	M11 -	SSX160481BA	
51	0150M00008S	FAN BLADE 22" TNT2203-25 (M7)	M12 -	SSX160591AA	
51	10625738S	FAN BLADE 26" ALUM CCW (M9, M10, M11, M12, M13, M14, M15)	M13 -	SSX160601AA	
51	B1086765S	FAN BLADE TYPE 3 (M8)	M14 -	SSX160601AB	
51	0150M00022	FAN BLADE, 22" (M3, M4)	M15 -	SSX160601BA	
61	0161L00000	VENTURI RING 22" (M1, M2, M3, M4, M5, M6, M7, M8)			
61	0161R00007P	VENTURI RING 35" (M9, M10, M11, M12, M13, M14, M15)			
111	0121R00027PDGB	LOUVERED SIDE PANEL [LT OF CNTL PNL] (M1, M2, M5, M6)			
111	0121R00043PDGB	LOUVERED SIDE PANEL [LT OF CNTL PNL] (M9, M10, M12, M13, M14, M15)			
111	0121R00125PDGB	LOUVERED SIDE PANEL [LT OF CNTL PNL] (M3, M4, M7)			
111	0121R00127PDGB	LOUVERED SIDE PANEL [LT OF CNTL PNL] (M8)			
111	0121R00228PDGB	LOUVERED SIDE PANEL [LT OF CNTL PNL] (M11)			
121	0121R00033PDGBS	LOUVERED SIDE PANEL (M1, M2, M5, M6)			
121	0121R00047PDGB	LOUVERED SIDE PANEL (M9, M10, M12, M13, M14, M15)			
121	0121R00132PDGB	LOUVERED SIDE PANEL (M3, M4, M7)			
121	0121R00134PDGB	LOUVERED SIDE PANEL (M8)			
121	0121R00231PDGB	LOUVERED SIDE PANEL (M11)			
131	0121R00139PDG	LOUVERED SIDE PANEL [RT OF CNTL PNL] (M3, M4, M7)			
131	0121R00039PDGS	LOUVERED SIDE PANEL [RT OF CNTL PNL] (M1, M2, M5, M6)			
131	0121R00051PDG	LOUVERED SIDE PANEL [RT OF CNTL PNL] (M9, M10, M12, M13, M14, M15)			
131	0121R00141PDG	LOUVERED SIDE PANEL [RT OF CNTL PNL] (M8)			
131	0121R00234PDG	LOUVERED SIDE PANEL [RT OF CNTL PNL] (M11)			
NS	0161R00002P	CONDUIT (M1, M2, M3, M4, M5, M6, M7, M8)			
NS	0161R00004P	CONDUIT (M9, M10, M11, M12, M13, M14, M15)			

THIS PAGE INTENTIONALLY LEFT BLANK